

Door - 5010



Stainless steel design	Chrome design	glass
Art.no.	Art.no.	
29.5010.000.12	29.5010.000.10	8 - 10 mm

INFO Products

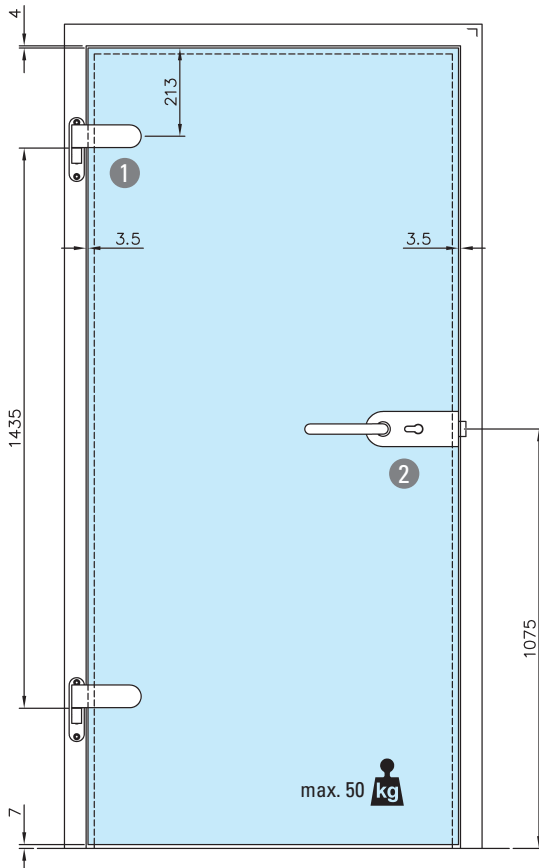


2 x
45.2250.000...
(18)

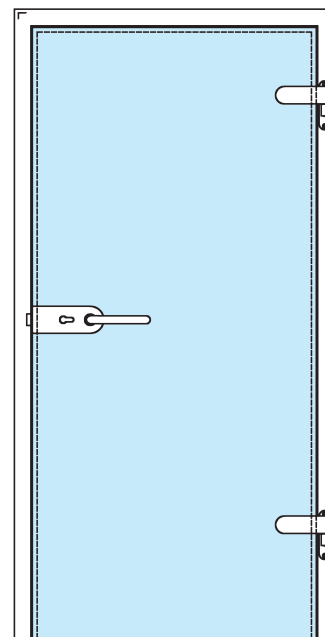


1 x
45.2210.002...
(96)

INFO 29.5010.000...



Example for clearance 841 x 1983 mm
(glass thickness 8 - 10 mm).
Prices for glass upon request.



Door - 5015

Stainless steel design	Chrome design	glass
Art.no.		
29.5015.000.12	29.5015.000.10	8 - 10 mm



INFO Products



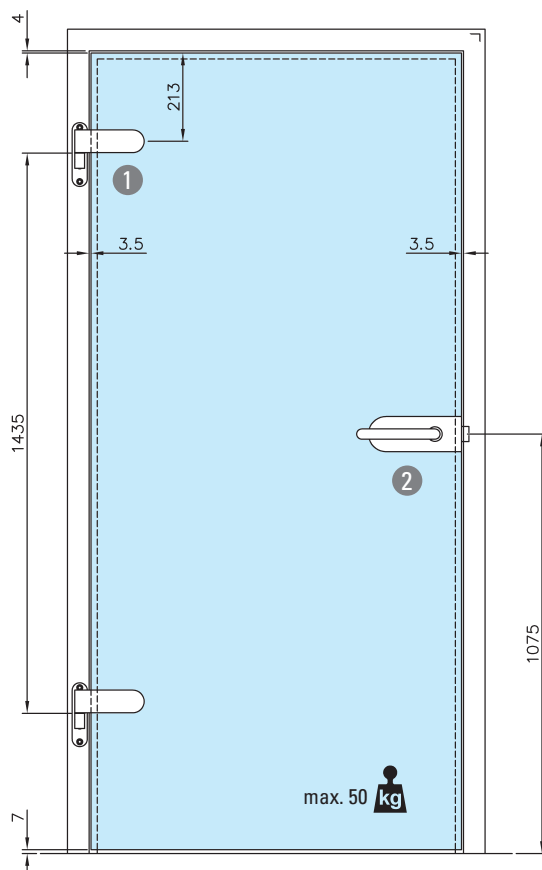
2 x
45.2250.000...
(■ 18)



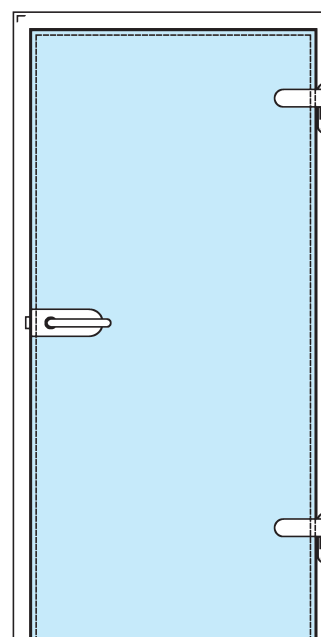
1 x
45.2210.001...
(■ 96)



INFO 29.5015.000...



Example for clearance 841 x 1983 mm
(glass thickness 8 - 10 mm).
Prices for glass upon request.



Door - 5020



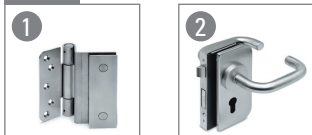
opening direction left

Stainless steel design	Chrome design	
Art.no.	Art.no.	glass
29.5020.001.12	29.5020.001.10	10 - 12 mm

opening direction right

Stainless steel design	Chrome design	
Art.no.	Art.no.	glass
29.5020.002.12	29.5020.002.10	10 - 12 mm

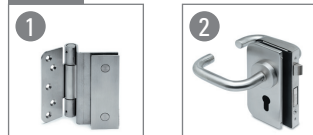
INFO Products



2 x
45.2702.000...
(■ 17)

1 x
45.2810.002...
(■ 98)

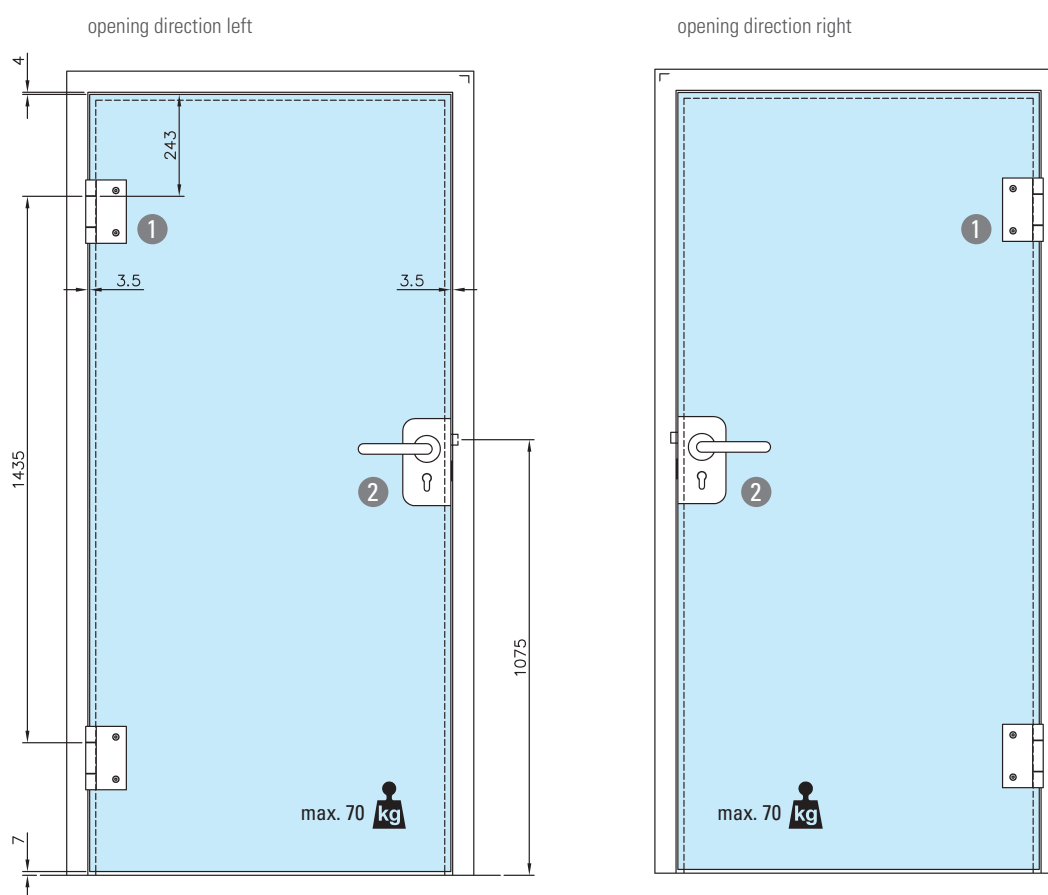
INFO Products



2 x
45.2702.000...
(■ 17)

1 x
45.2820.002...
(■ 98)

INFO 29.5020...



Example for clearance 841 x 1983 mm
(glass thickness 10 - 12 mm).
Prices for glass upon request.

Door hinge - 201



glass/glass

Stainless steel design

Art.no.

41.0201.000.12

Chrome design

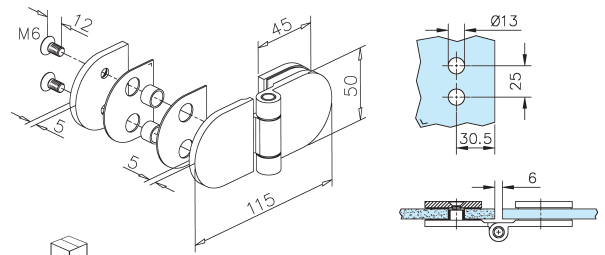
Art.no.

41.0201.000.10

glass

6 - 10 mm

1



Door hinge - 202



glass/wall

Stainless steel design

Art.no.

41.0202.000.12

Chrome design

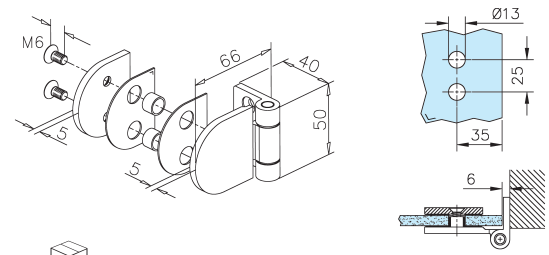
Art.no.

41.0202.000.10

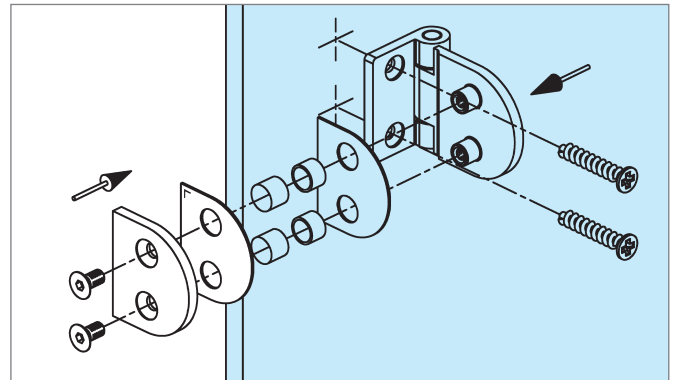
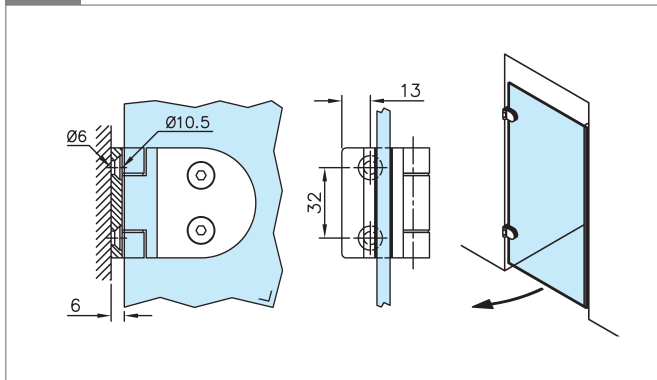
glass

6 - 10 mm

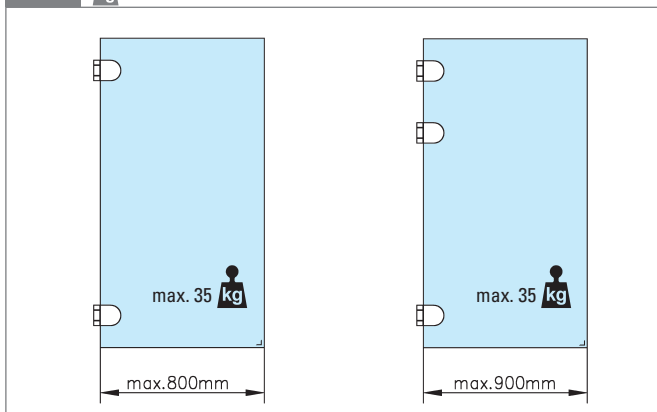
1



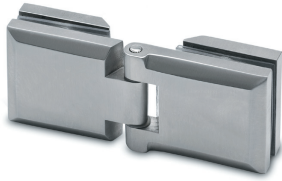
INFO 41.0202.000...



INFO



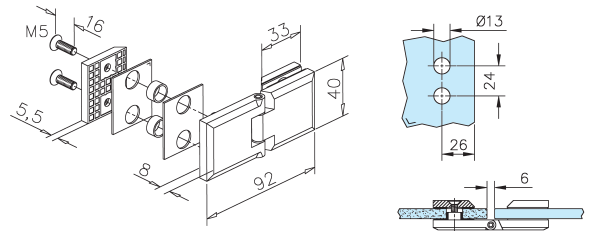
Door hinge - 301



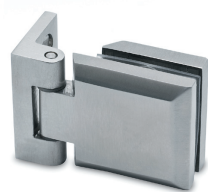
glass/glass

Stainless steel design Chrome design

Art.no.	Art.no.	glass	
41.0301.000.12	41.0301.000.10	6 - 10 mm	1



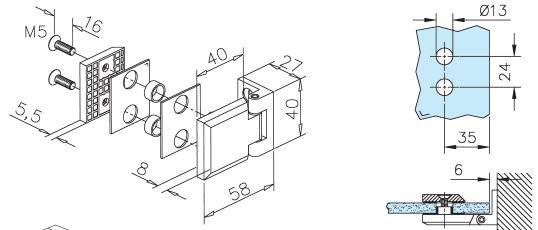
Door hinge - 302



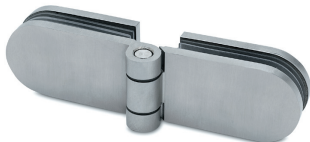
glass/wall

Stainless steel design Chrome design

Art.no.	Art.no.	glass	
41.0302.000.12	41.0302.000.10	6 - 10 mm	1



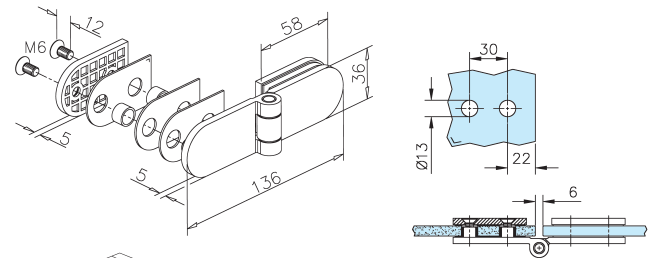
Door hinge - 401



glass/glass

Stainless steel design Chrome design

Art.no.	Art.no.	glass	
41.0401.000.12	41.0401.000.10	6 - 10 mm	1



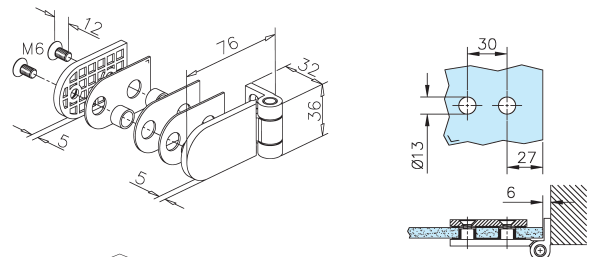
Door hinge - 402



glass/wall

Stainless steel design Chrome design

Art.no.	Art.no.	glass	
41.0402.000.12	41.0402.000.10	6 - 10 mm	1



Door hinge - 501



glass/wall

Stainless steel design

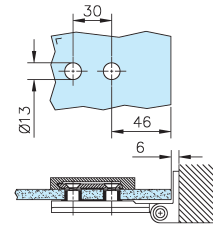
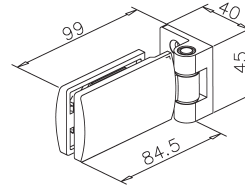
Art.no.
41.0501.090.12

Chrome design

Art.no.
41.0501.090.10

glass
6 - 10 mm

2



Door hinge - 502



glass/glass

Stainless steel design

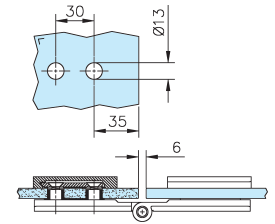
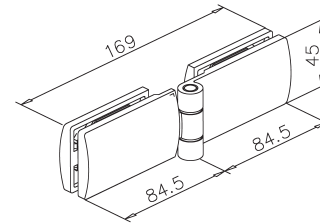
Art.no.
41.0502.180.12

Chrome design

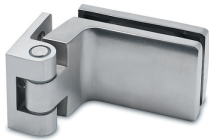
Art.no.
41.0502.180.10

glass
6 - 10 mm

1



Door hinge - 503



glass/wall

Stainless steel design

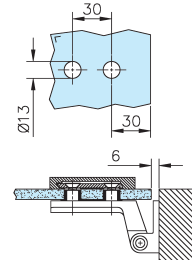
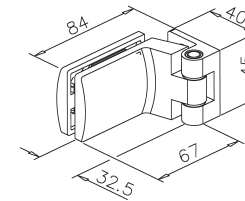
Art.no.
41.0503.090.12


Chrome design

Art.no.
41.0503.090.10

glass
6 - 10 mm

1



INFO 

INFO 41.0501.090...

Door hinge - 2701

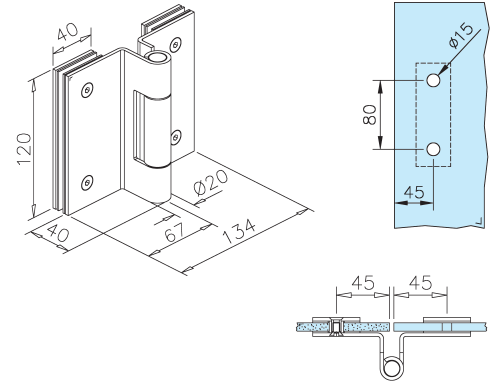


glass/glass

Stainless steel design

Chrome design

Art.no.	Art.no.	glass	
45.2701.000.12	45.2701.000.10	10 - 12 mm	2



Door hinge - 2702

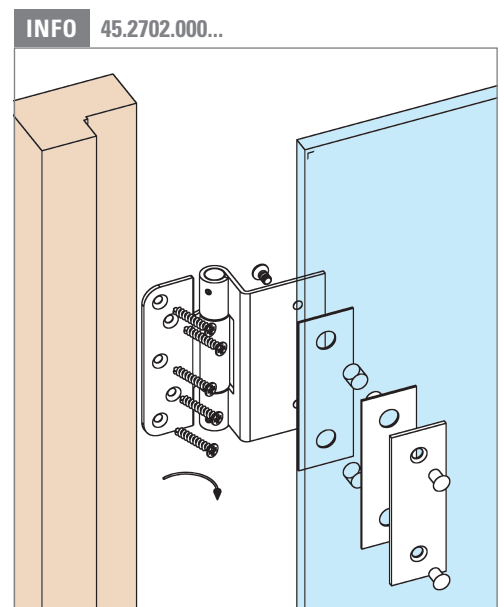
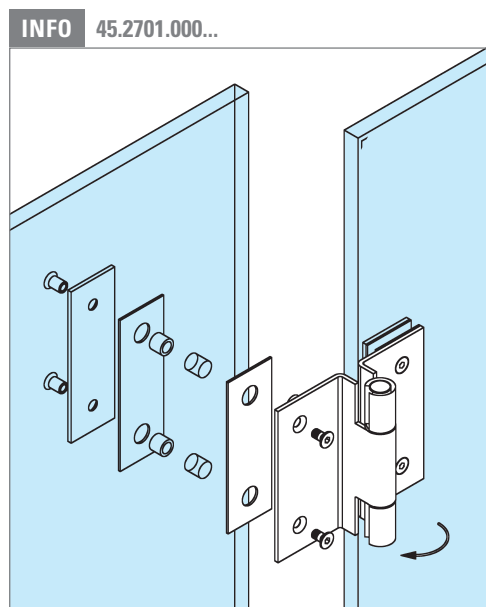
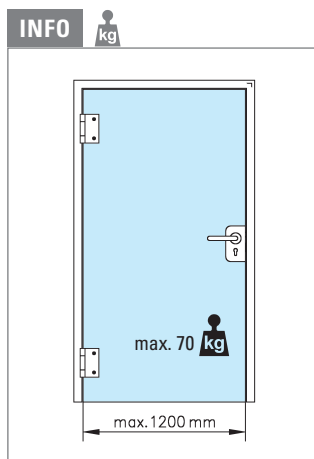
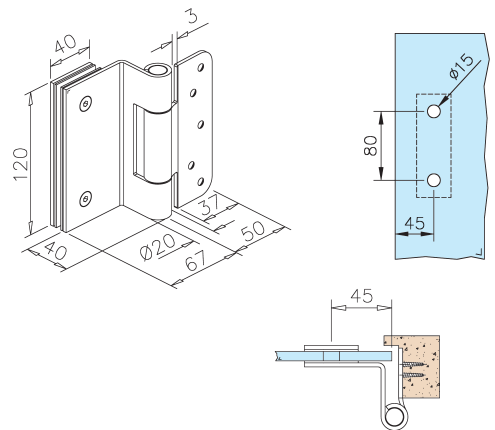


glass/wood

Stainless steel design

Chrome design

Art.no.	Art.no.	glass	
45.2702.000.12	45.2702.000.10	10 - 12 mm	2

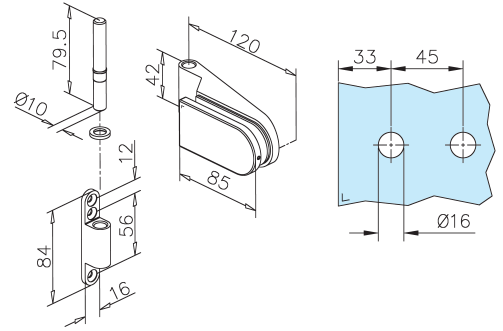


Door hinge - 2250

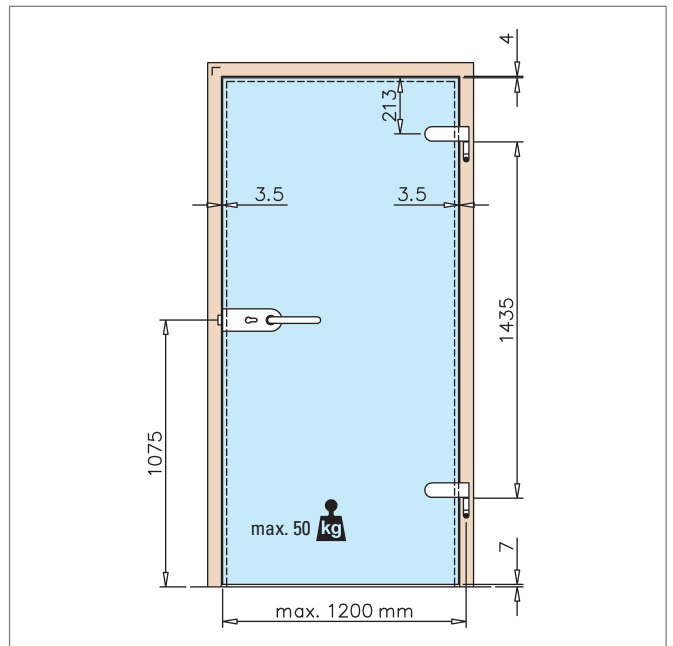
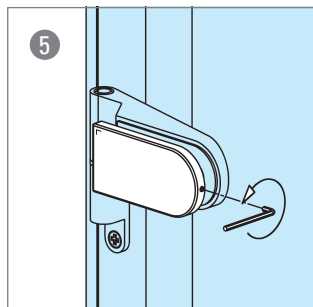
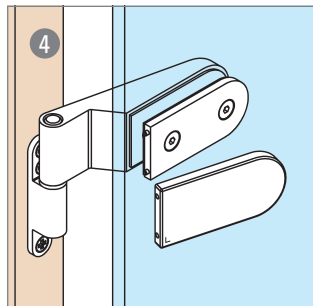
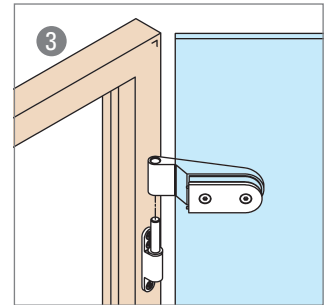
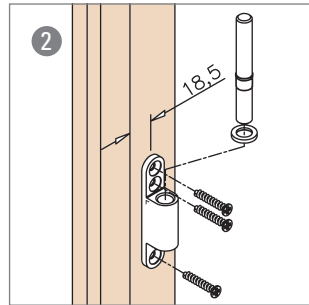
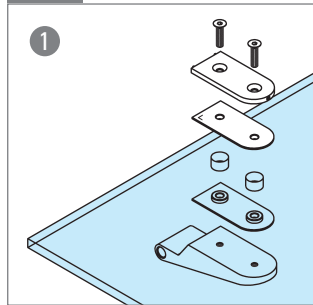
1



Stainless steel design	Chrome design		
Art.no.	Art.no.	glass	
45.2250.000.20	45.2250.000.23	8 - 10 mm	1



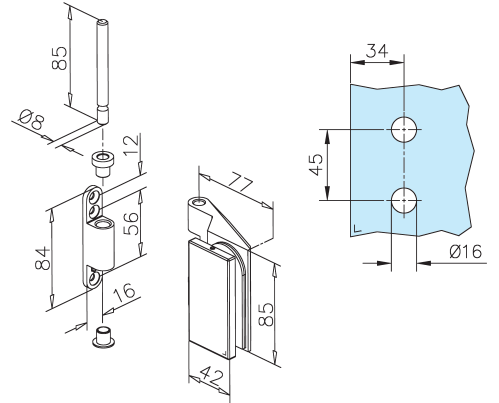
INFO 45.2250.000...



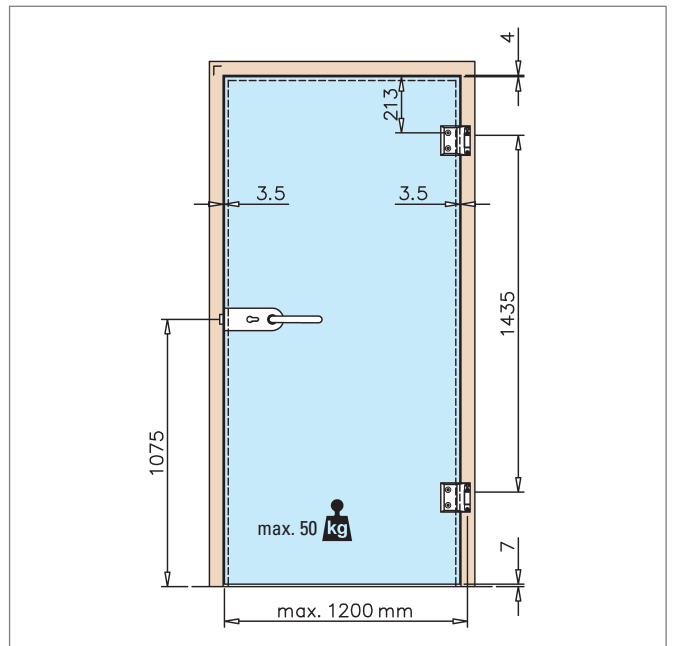
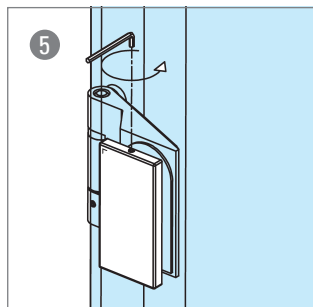
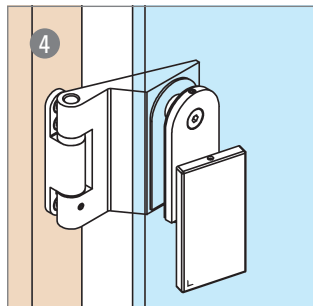
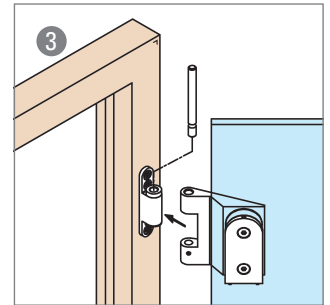
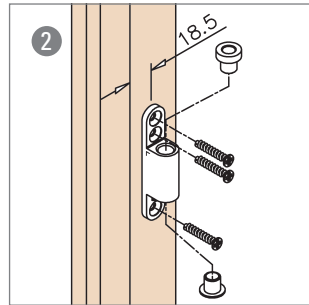
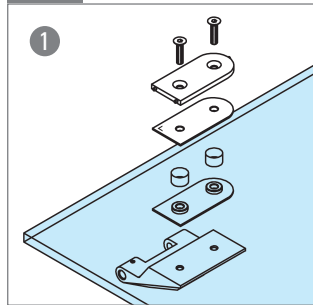
Door hinge - 2270



Stainless steel design	Chrome design		
Art.no.	Art.no.	glass	
45.2270.000.20	45.2270.000.23	8 - 10 mm	1



INFO 45.2270.000...



Swing door - 5040



Stainless steel design

Art.no.	glass
29.5040.000.12	10 - 12 mm

INFO Products



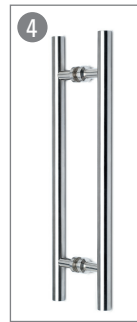
1 x
45.0150.000.12
(■ 46)



1 x
45.0152.000.12
(■ 46)

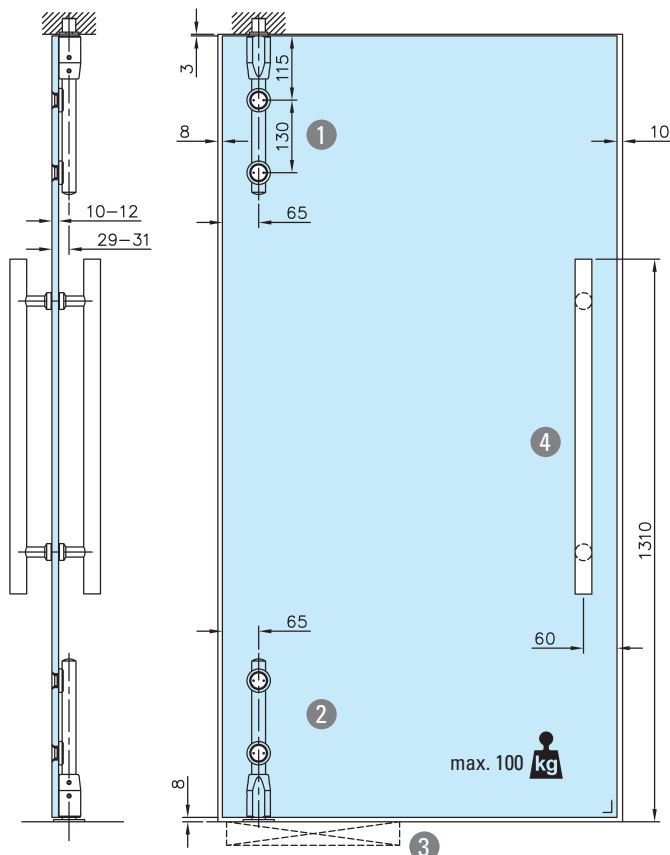


1 x
45.0100.000.12
(■ 52)



1 x
47.5406.032.12
(■ 86)

INFO 29.5040.000.12



Example for clearance 1018 x 2011 mm
(glass thickness 10 - 12 mm).
Prices for glass upon request.

Swing door - 5045



Stainless steel design

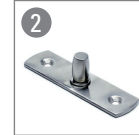
Art.no.	glass
29.5045.000.12	10 - 12 mm



INFO Products



1 x
45.2150.000.12
(■ 48)



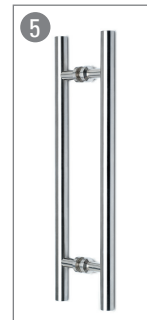
1 x
45.2160.000.12
(■ 53)



1 x
45.2152.000.12
(■ 48)

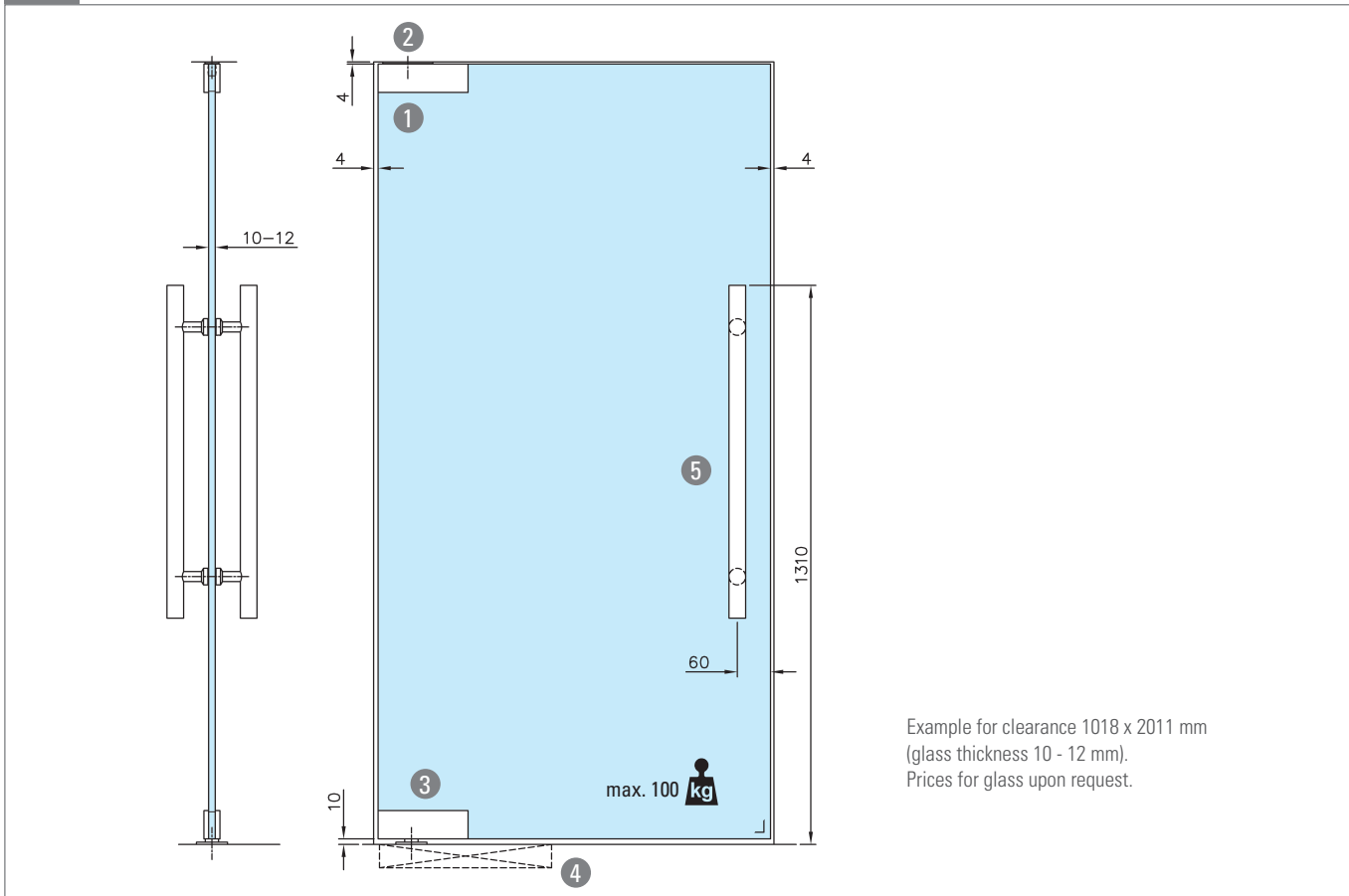


1 x
45.0100.000.12
(■ 52)

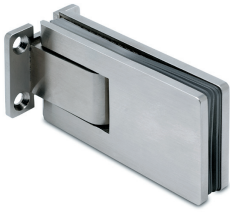


1 x
47.5406.032.12
(■ 86)

INFO 29.5045.000.12



Door hinge - 101



glass/wall

Stainless steel design

Art.no.

41.0101.090.12

Chrome design

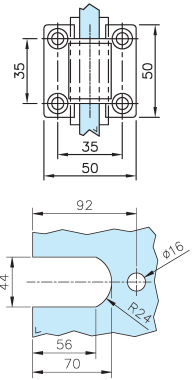
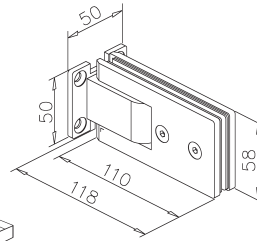
Art.no.

41.0101.090.10

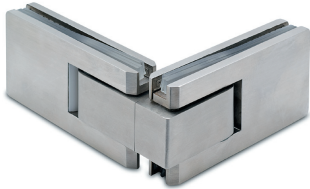
glass

8 - 12 mm

1



Door hinge - 102 / 090



glass/glass

Stainless steel design

Art.no.

41.0102.090.12

Chrome design

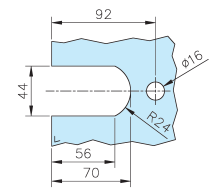
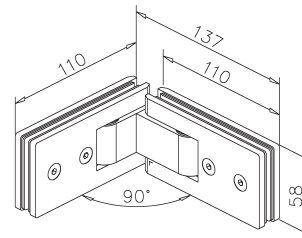
Art.no.

41.0102.090.10

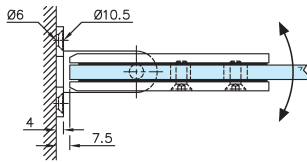
glass

8 - 12 mm

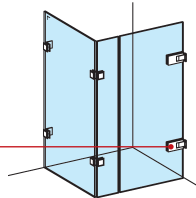
1



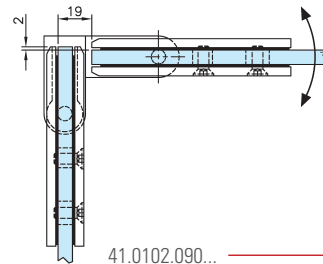
INFO 41.0101.090...



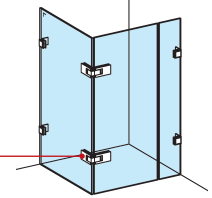
41.0101.090...



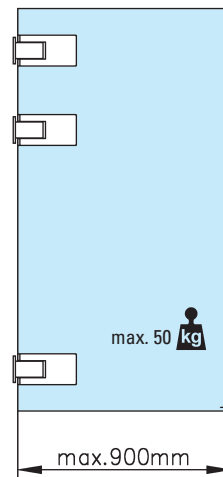
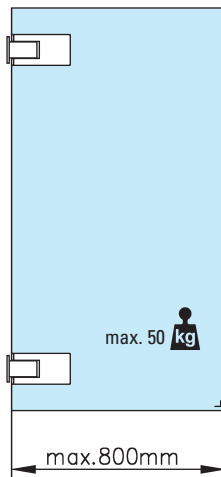
INFO 41.0102.090...



41.0102.090...



INFO



Door hinge - 102 / 135



glass/glass

Stainless steel design

Art.no.

41.0102.135.12

Chrome design

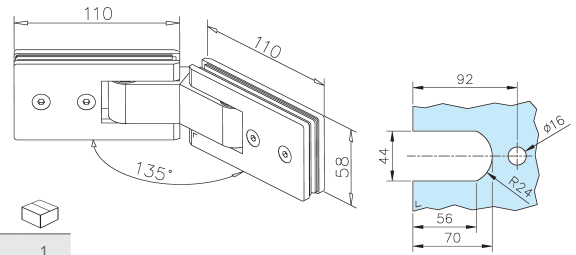
Art.no.

41.0102.135.10

glass

8 - 12 mm

1



Door hinge - 102 / 180



glass/glass

Stainless steel design

Art.no.

41.0102.180.12

Chrome design

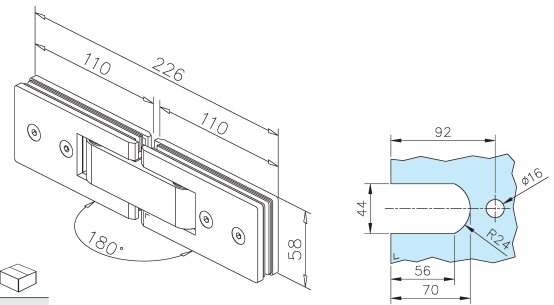
Art.no.

41.0102.180.10

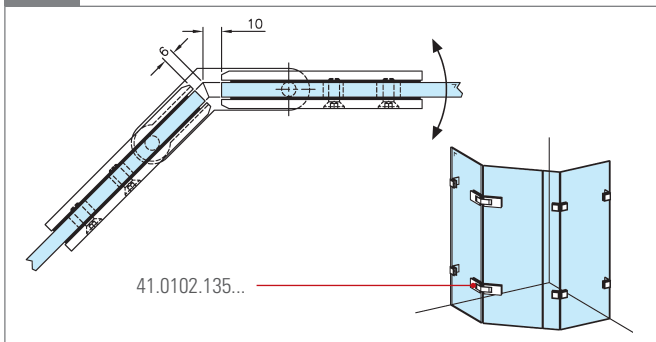
glass

8 - 12 mm

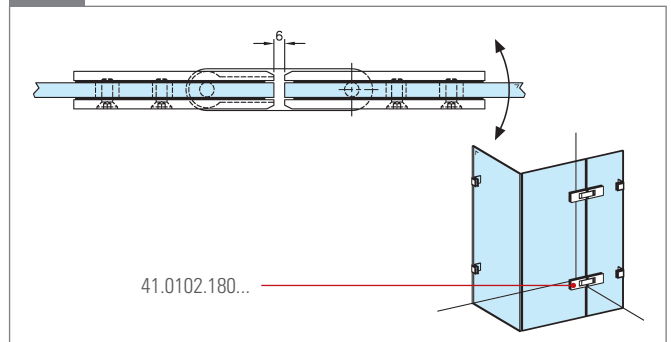
1



INFO 41.0102.135...



INFO 41.0102.180...



Door hinge - 3012



glass/wall

Stainless steel design

Art.no.
41.3012.090.12

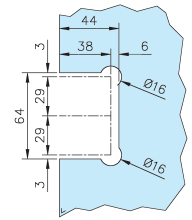
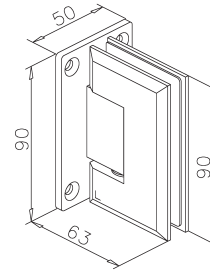
Chrome design

Art.no.
41.3012.090.10

glass
8 - 12 mm



1



Door hinge - 3112



glass/wall

Stainless steel design

Art.no.
41.3112.090.12

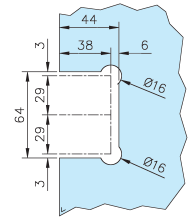
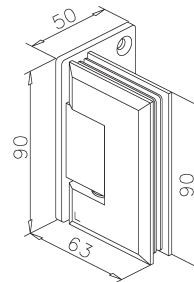
Chrome design

Art.no.
41.3112.090.10

glass
8 - 12 mm



1



Door hinge - 3212 / 090



glass/glass

Stainless steel design

Art.no.
41.3212.090.12

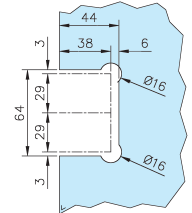
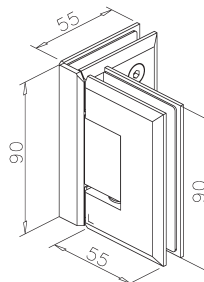
Chrome design

Art.no.
41.3212.090.10

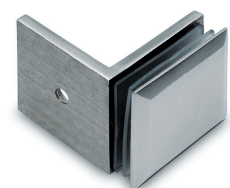
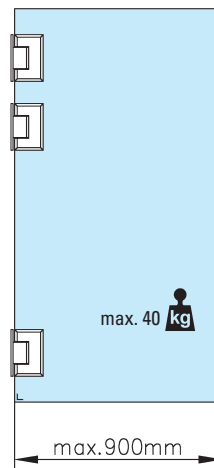
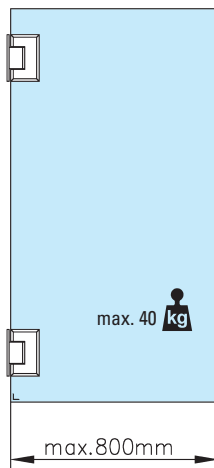
glass
8 - 12 mm



1



INFO



Wall fixations
104

Door hinge - 3212 / 135



glass/glass

Stainless steel design

Chrome design

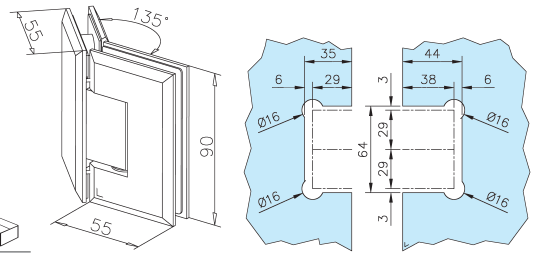
Art.no.

Art.no.

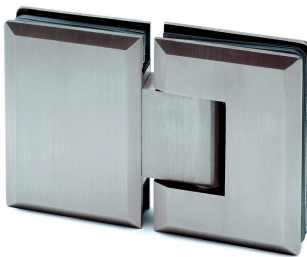
glass



41.3212.135.12	41.3212.135.10	8 - 12 mm	1
----------------	----------------	-----------	---



Door hinge - 3212 / 180



glass/glass

Stainless steel design

Chrome design

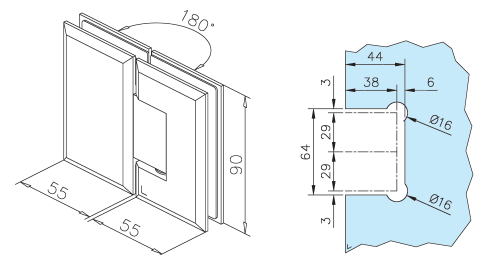
Art.no.

Art.no.

glass



41.3212.180.12	41.3212.180.10	8 - 12 mm	1
----------------	----------------	-----------	---

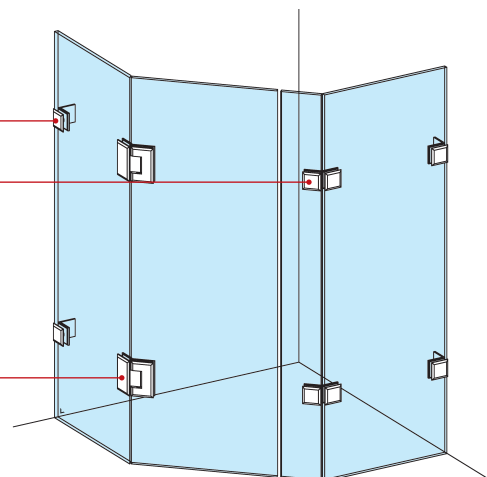


INFO 41.3212.135...

40.4112.090... (■ 104)

40.4012.135... (■ 104)

41.3212.135...



Door hinge - 5012



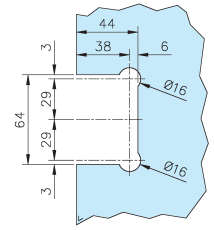
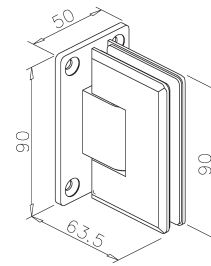
ADJUST-ABLE

glass/wall

Stainless steel design

Chrome design

Art.no.	Art.no.	glass	
41.5012.090.12	41.5012.090.10	8 - 10 mm	2



Door hinge - 5112



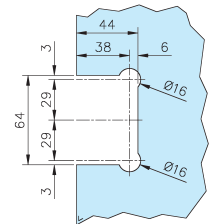
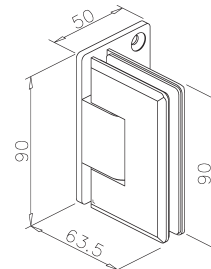
ADJUST-ABLE

glass/wall

Stainless steel design

Chrome design

Art.no.	Art.no.	glass	
41.5112.090.12	41.5112.090.10	8 - 10 mm	2



Door hinge - 5212



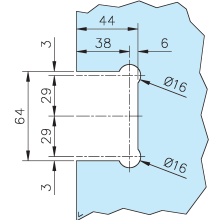
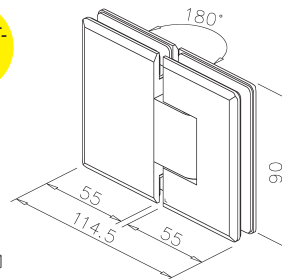
ADJUST-ABLE

glass/glass

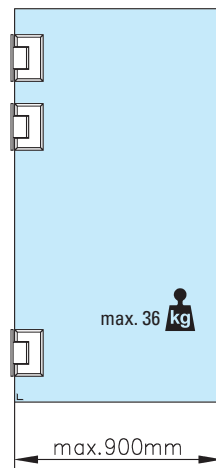
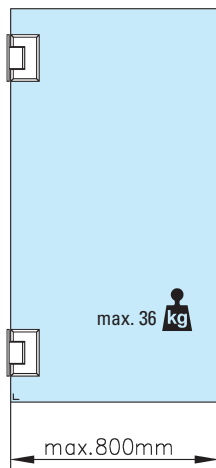
Stainless steel design

Chrome design

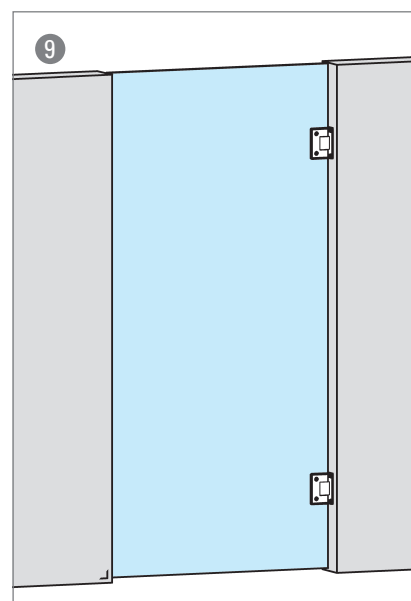
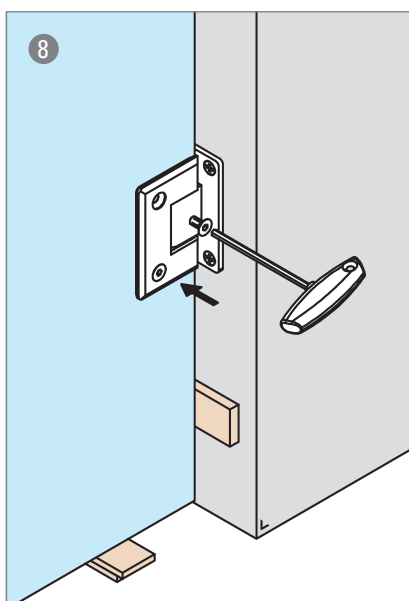
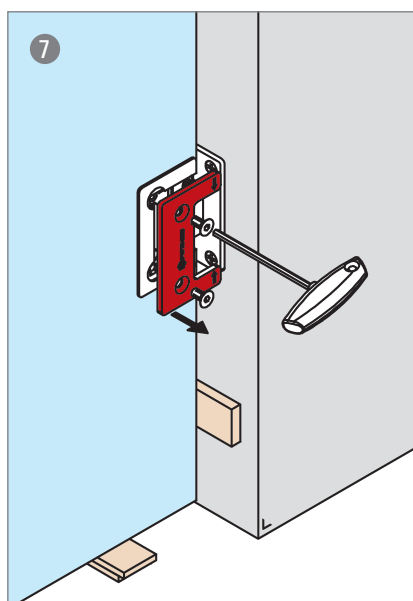
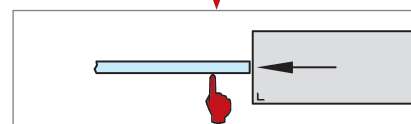
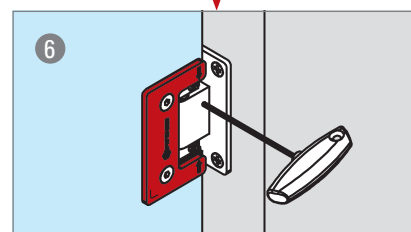
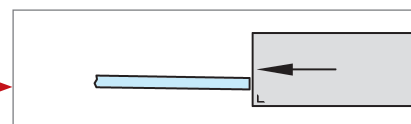
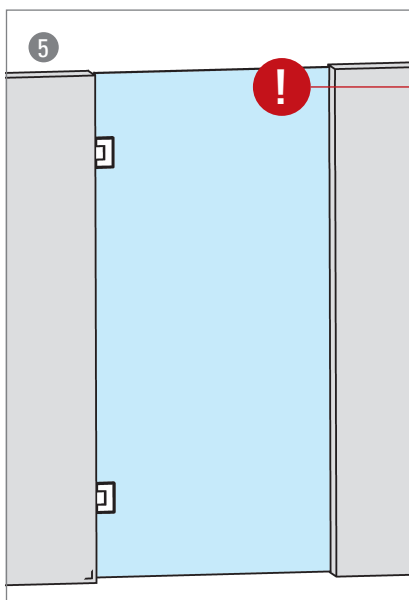
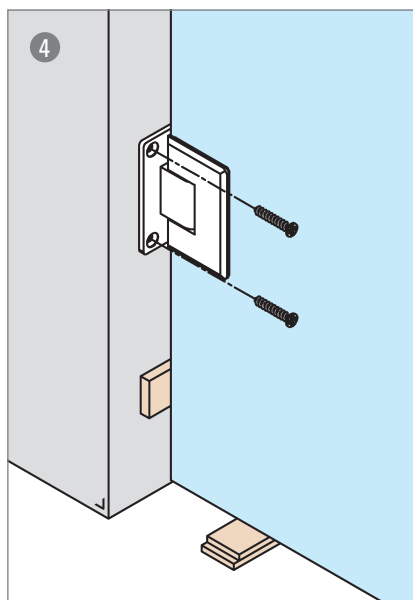
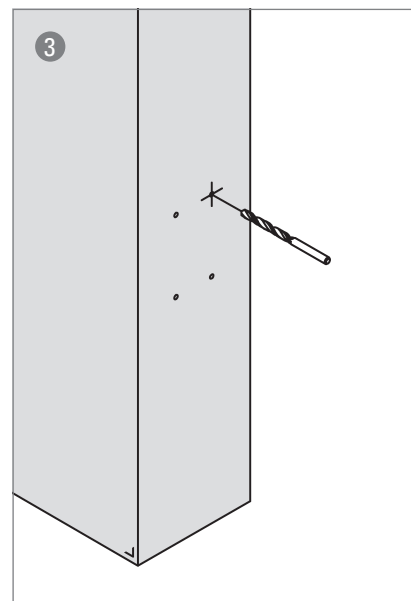
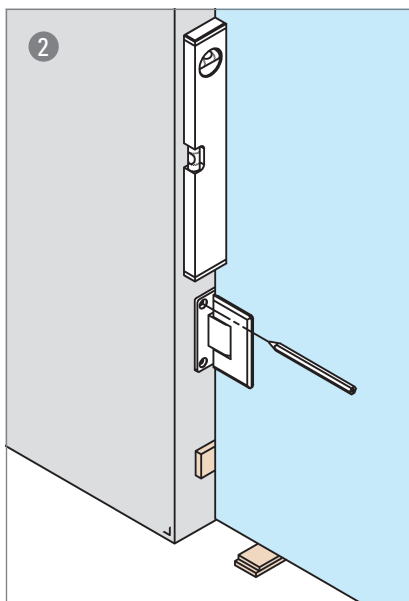
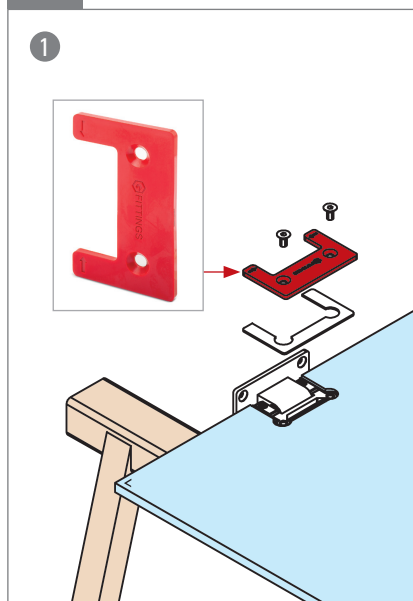
Art.no.	Art.no.	glass	
41.5212.180.12	41.5212.180.10	8 - 10 mm	1



INFO



INFO 41.5012.090...



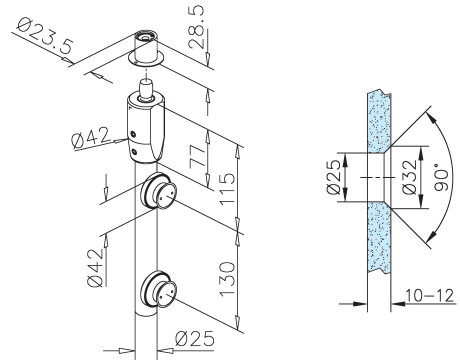
1

Ceiling pivot bar - 150



Stainless steel design

Art.no.	glass	
45.0150.000.12	10 - 12 mm	1

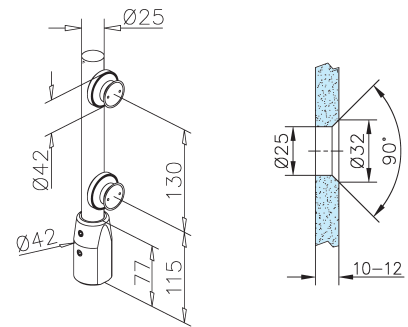


Floor pivot bar - 152



Stainless steel design

Art.no.	glass	
45.0152.000.12	10 - 12 mm	1



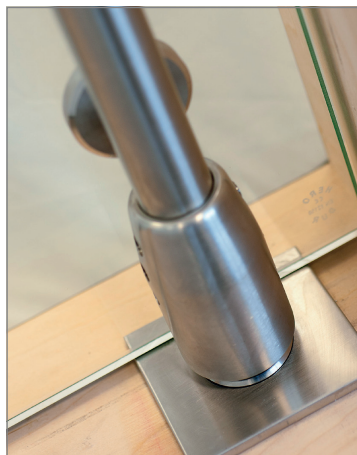
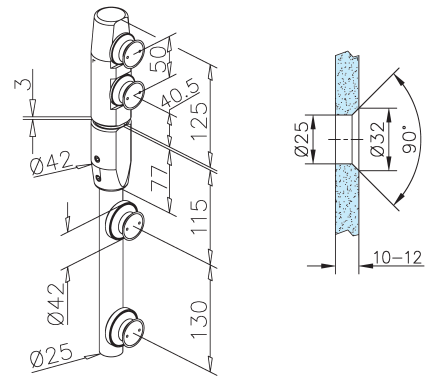
Transom pivot bar - 154



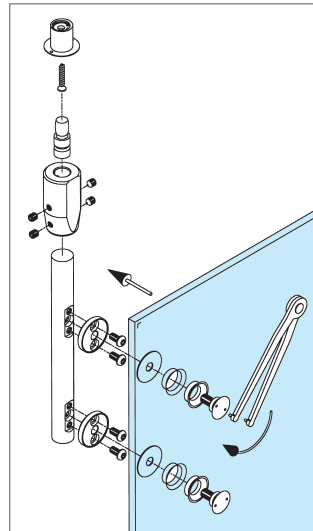
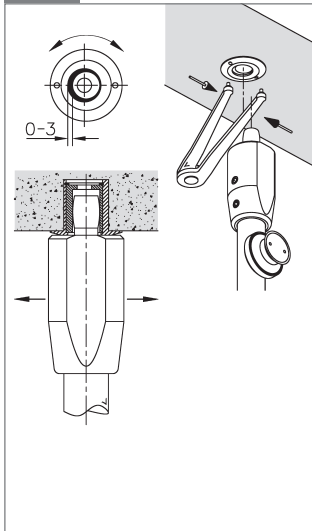
glass/glass

Stainless steel design

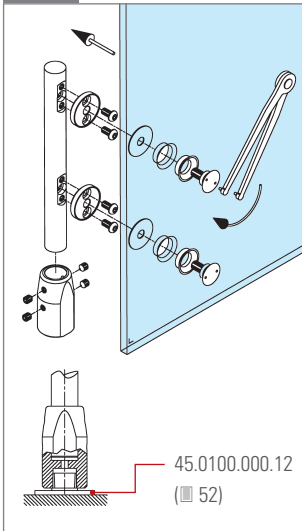
Art.no.	glass	
45.0154.000.12	10 - 12 mm	1



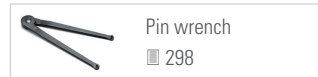
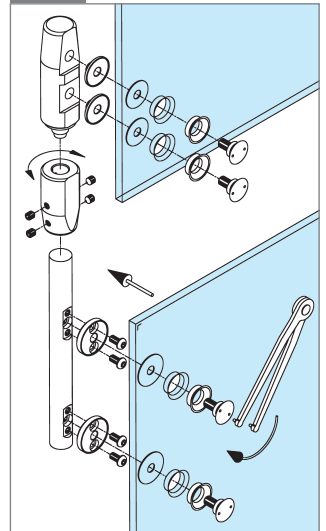
INFO 45.0150.000.12



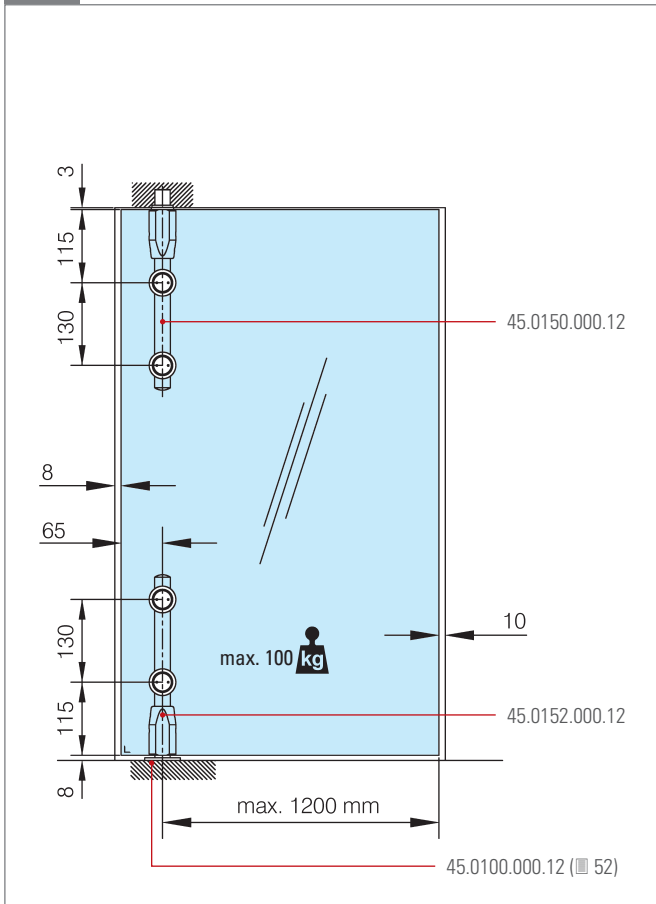
INFO 45.0152.000.12



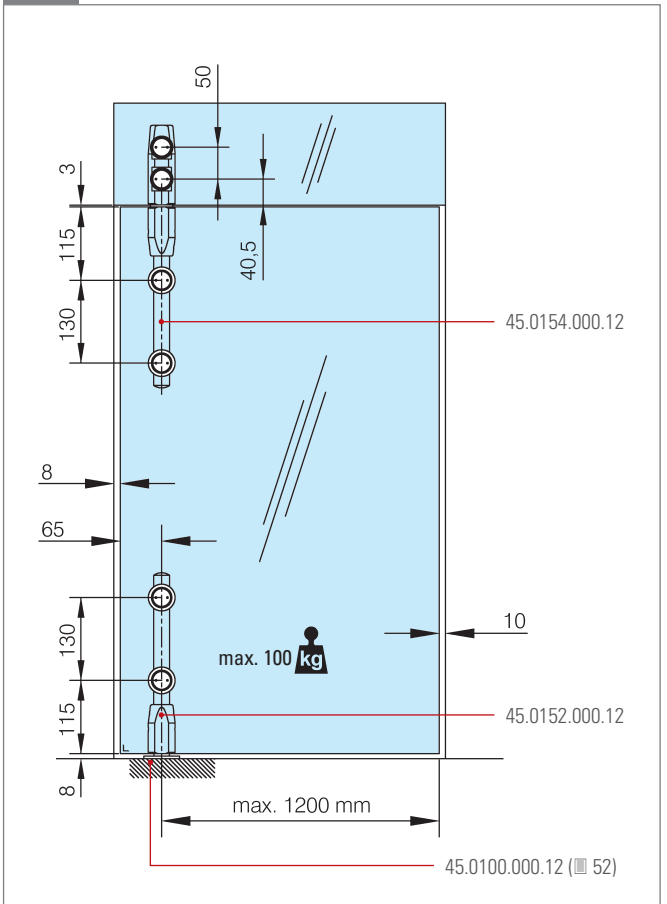
INFO 45.0154.000.12



INFO 45.0152.000.12 + 45.0150.000.12



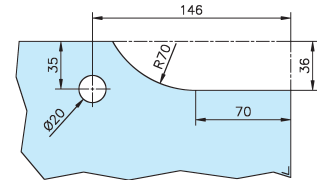
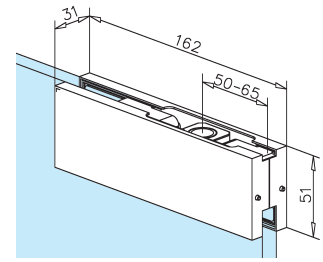
INFO 45.0152.000.12 + 45.0154.000.12



Upper glass corner patch - 2150



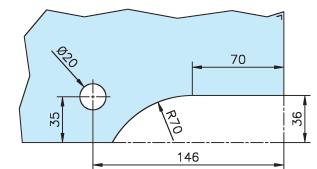
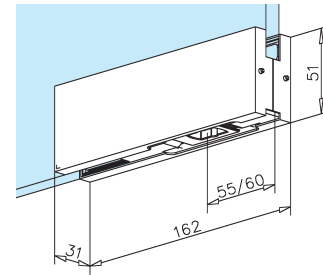
Stainless steel design	Chrome design		
Art.no.	Art.no.	glass	
45.2150.000.12	45.2150.000.10	10 - 12 mm	1



Lower glass door patch - 2152



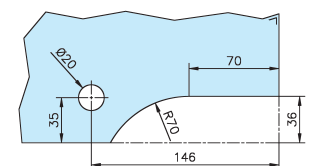
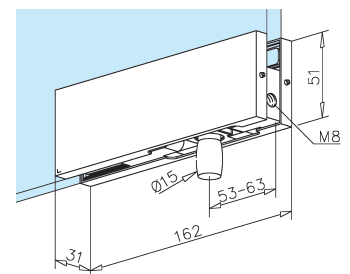
Stainless steel design	Chrome design		
Art.no.	Art.no.	glass	
45.2152.000.12	45.2152.000.10	10 - 12 mm	1



Over glass panel pivot patch - 2153



glass/wall, M8			
Stainless steel design	Chrome design		
Art.no.	Art.no.	glass	
45.2153.000.12	45.2153.000.10	10 - 12 mm	1



INFO Mounting



Dowel screw - 100
M8 x 50 mm

Art.no.
19.0100.000.00 (■) 293

Over glass corner pivot patch - 2154



glass/glass

Stainless steel design

Chrome design

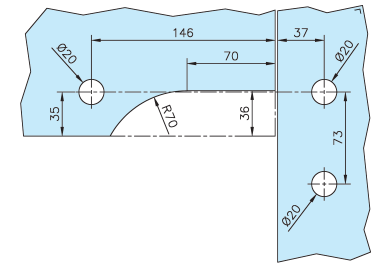
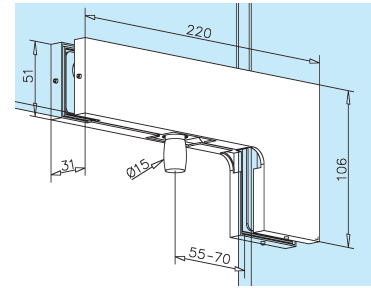
Art.no.

Art.no.

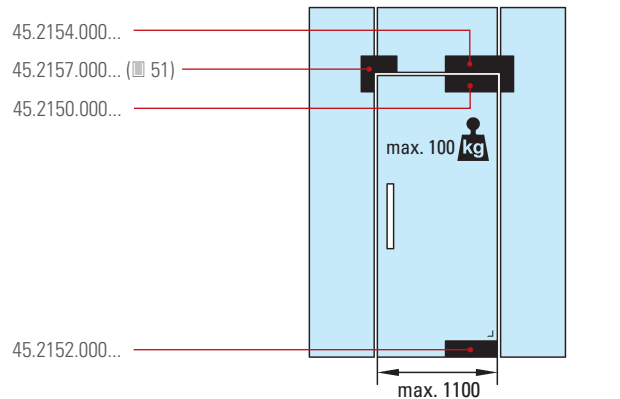
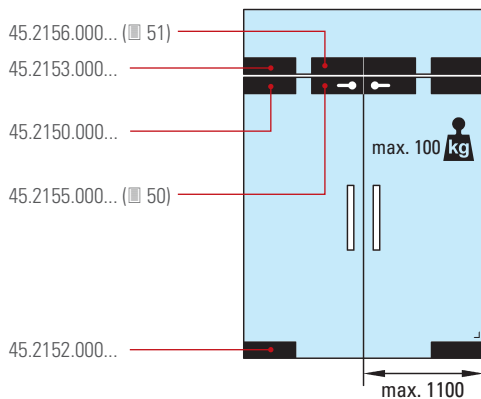
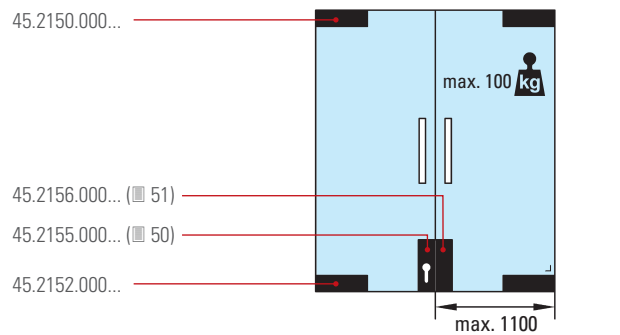
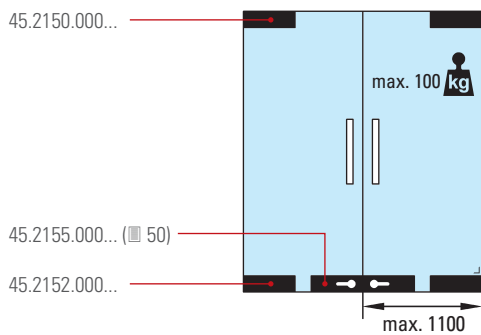
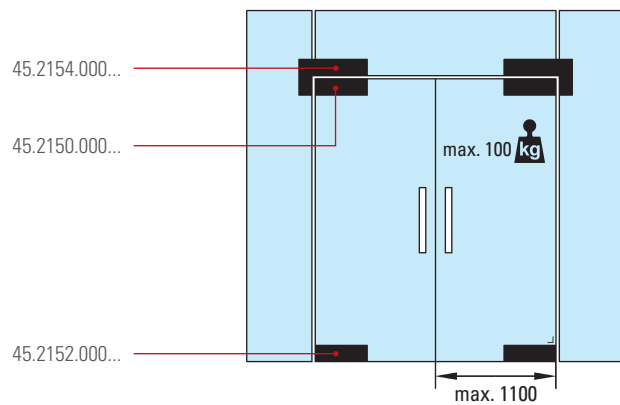
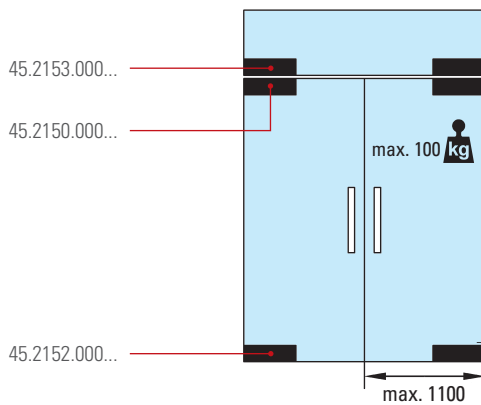
glass



45.2154.000.12	45.2154.000.10	10 - 12 mm	1
----------------	----------------	------------	---



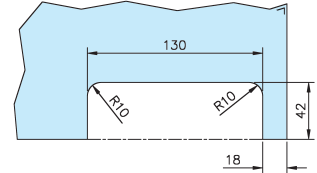
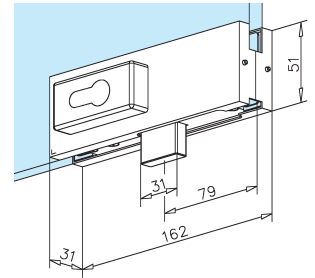
INFO 45.2150.000... - 45.2157.000...



Locking patch - 2155



Stainless steel design	Chrome design		
Art.no.	Art.no.	glass	
45.2155.000.12	45.2155.000.10	10 - 12 mm	1



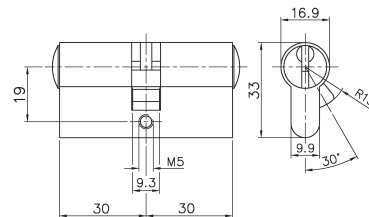
Profile double cylinder 30/30 mm



ZIKON
ASSA ABLOY

matt nickel-plated, with 3 keys

Art.no.	
45.2710.907.12	1



Profile double cylinder 30/30 mm

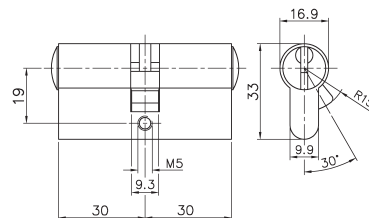
EN
1303



ZIKON
ASSA ABLOY


matt nickel-plated, with 3 keys

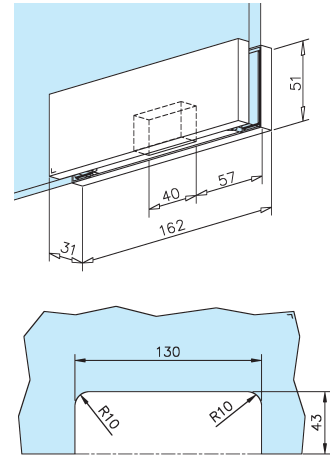
Art.no.	
45.2710.908.12	1



Strike box - 2156




Stainless steel design	Chrome design		
Art.no.	Art.no.	glass	
45.2156.000.12	45.2156.000.10	10 - 12 mm	1

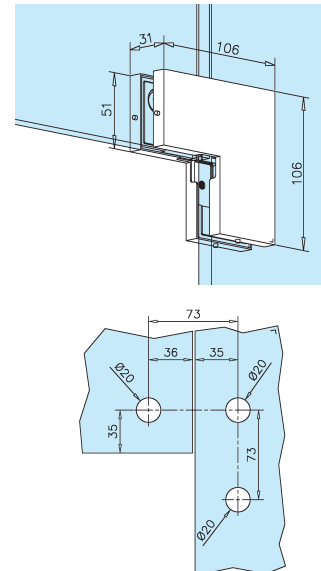


Corner connection patch - 2157



glass/glass

Stainless steel design	Chrome design		
Art.no.	Art.no.	glass	
45.2157.000.12	45.2157.000.10	10 - 12 mm	1

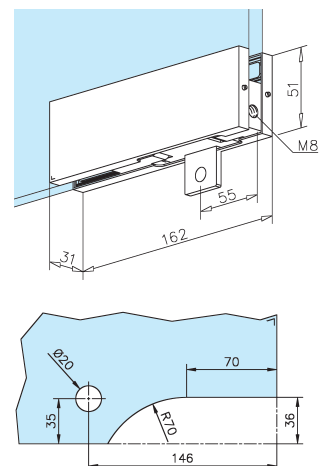


Over glass panel door stop patch - 2158



M8

Stainless steel design	Chrome design		
Art.no.	Art.no.	glass	
45.2158.000.12	45.2158.000.10	10 - 12 mm	1



INFO Mounting



Dowel screw - 100
M8 x 50 mm

Art.no.
19.0100.000.00 (■ 293)



Floor springs

Floor spring - 100

1



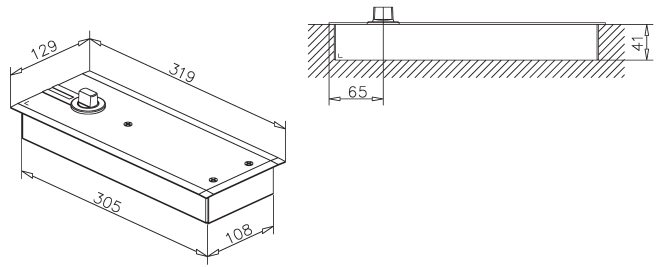
EN
1154

Stainless steel design

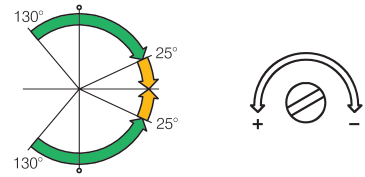
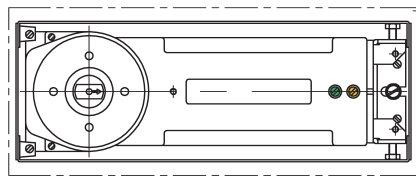
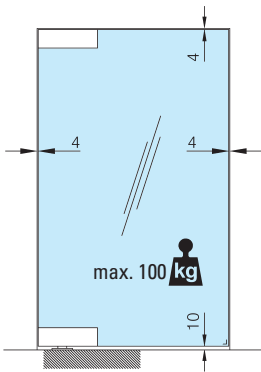
Art.no.
45.0100.000.12



1



INFO 45.0100.000.12



Spring strength EN 3
Closing speed variable by valve adjustment
Second adjusting closing range ca. 130° - ca. 25°
Hold - open point ca. 90°
Max. opening ca. 130°

Floor spring - 101

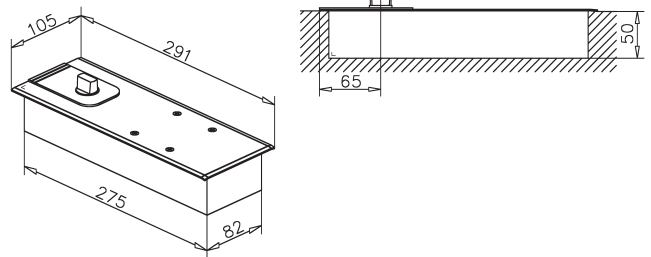


Stainless steel design

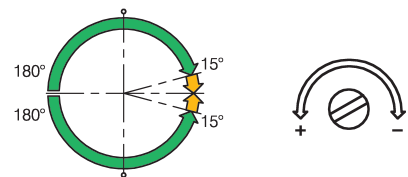
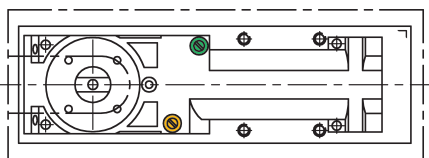
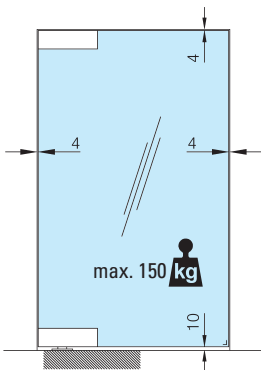
Art.no.
45.0101.000.12



1

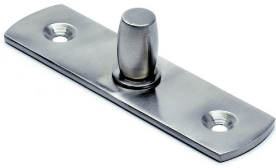


INFO 45.0101.000.12




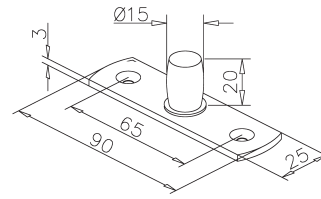
Adjustable spring strength EN 1 - EN 4
Adjustable closing speeds in two ranges -
ca. 180° - ca. 15° and ca. 15° - ca. 0°
Hold - open point ca. 105°
Max. opening ca. 180°

Top pivot - 2160



Stainless steel design

Art.no.	
45.2160.000.12	2




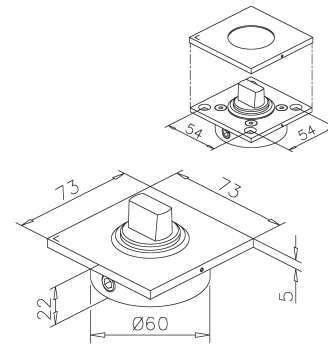
Floor spindle - 2170



with 90° dual open-close action

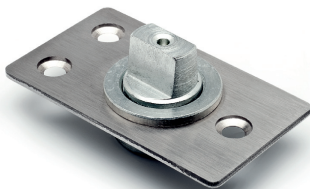
Stainless steel design

Art.no.	
45.2170.000.12	1




max. 100 

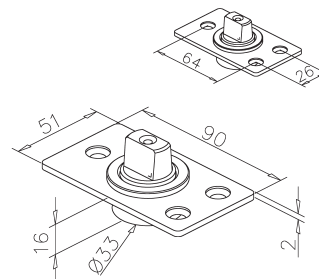
Floor spindle - 2171



with axis of rotation 360°

Stainless steel design

Art.no.	
45.2171.000.12	1

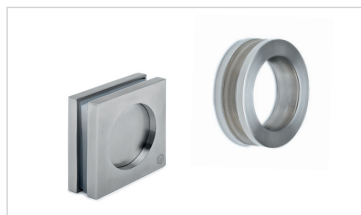


max. 100 





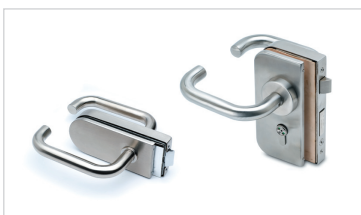
2 Door handles 86



2 Recessed grips 94



2 Door knobs 95




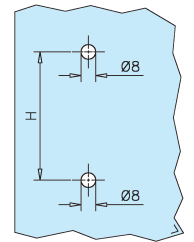
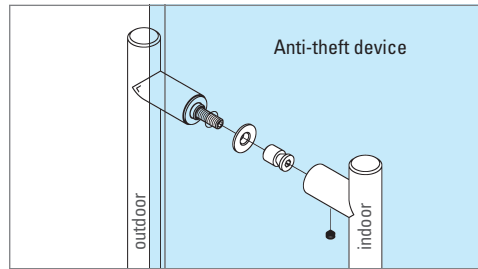
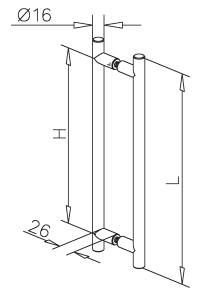
2 Door locks 96

Door handle - 53 / 16

double-sided




Ø	Stainless steel design	Chrome design	L	H	
	Art.no.	Art.no.			
16,0 mm	47.5302.016.12	47.5302.016.10	200 mm	150 mm	1
16,0 mm	47.5303.016.12	47.5303.016.10	300 mm	250 mm	1
16,0 mm	47.5304.016.12	47.5304.016.10	400 mm	350 mm	1
16,0 mm	47.5305.016.12	47.5305.016.10	500 mm	450 mm	1

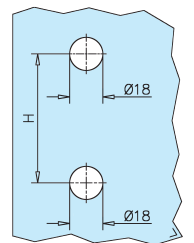
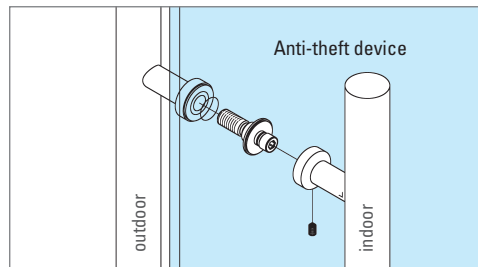
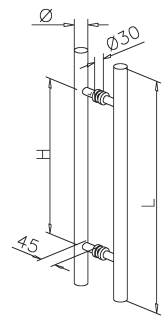


Door handle - 54

double-sided




Ø	Stainless steel design	Chrome design	L	H	
	Art.no.	Art.no.			
25,0 mm	47.5403.025.12	47.5403.025.10	300 mm	200 mm	1
25,0 mm	47.5404.025.12	47.5404.025.10	450 mm	300 mm	1
32,0 mm	47.5404.032.12	47.5404.032.10	450 mm	300 mm	1
32,0 mm	47.5406.032.12	47.5406.032.10	600 mm	400 mm	1
32,0 mm	47.5408.032.12	47.5408.032.10	800 mm	600 mm	1

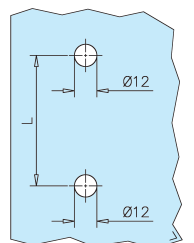
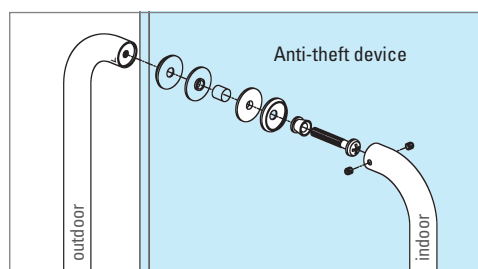
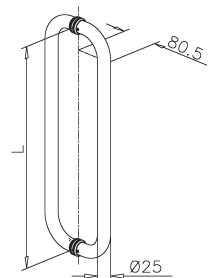


Door handle - 51

double-sided



Ø	Stainless steel design	L	
	Art.no.		
25,0 mm	47.5100.275.12	275 mm	1
25,0 mm	47.5100.460.12	460 mm	1
25,0 mm	47.5100.610.12	610 mm	1



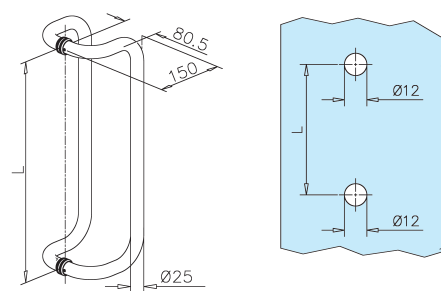
Door handle - 52

90° - double-sided



Stainless steel design

Art.no.	L	
47.5200.275.12	275 mm	1
47.5200.460.12	460 mm	1
47.5200.610.12	610 mm	1



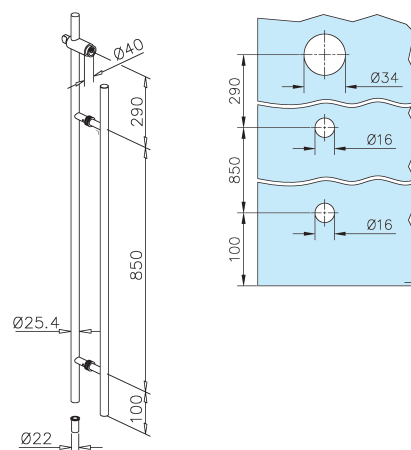
Door handle - 201

with lock system - double-sided

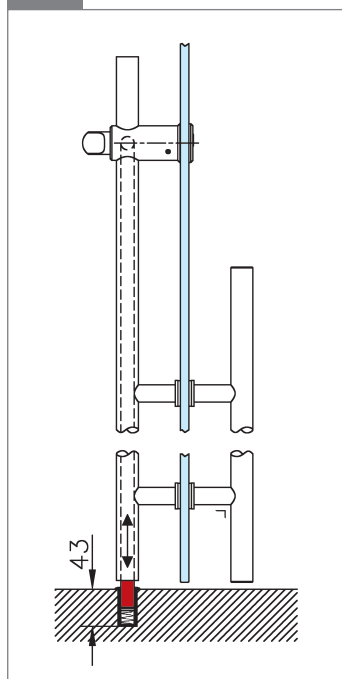


Stainless steel design

Art.no.	glass	
47.0201.025.12	10 - 12 mm	1



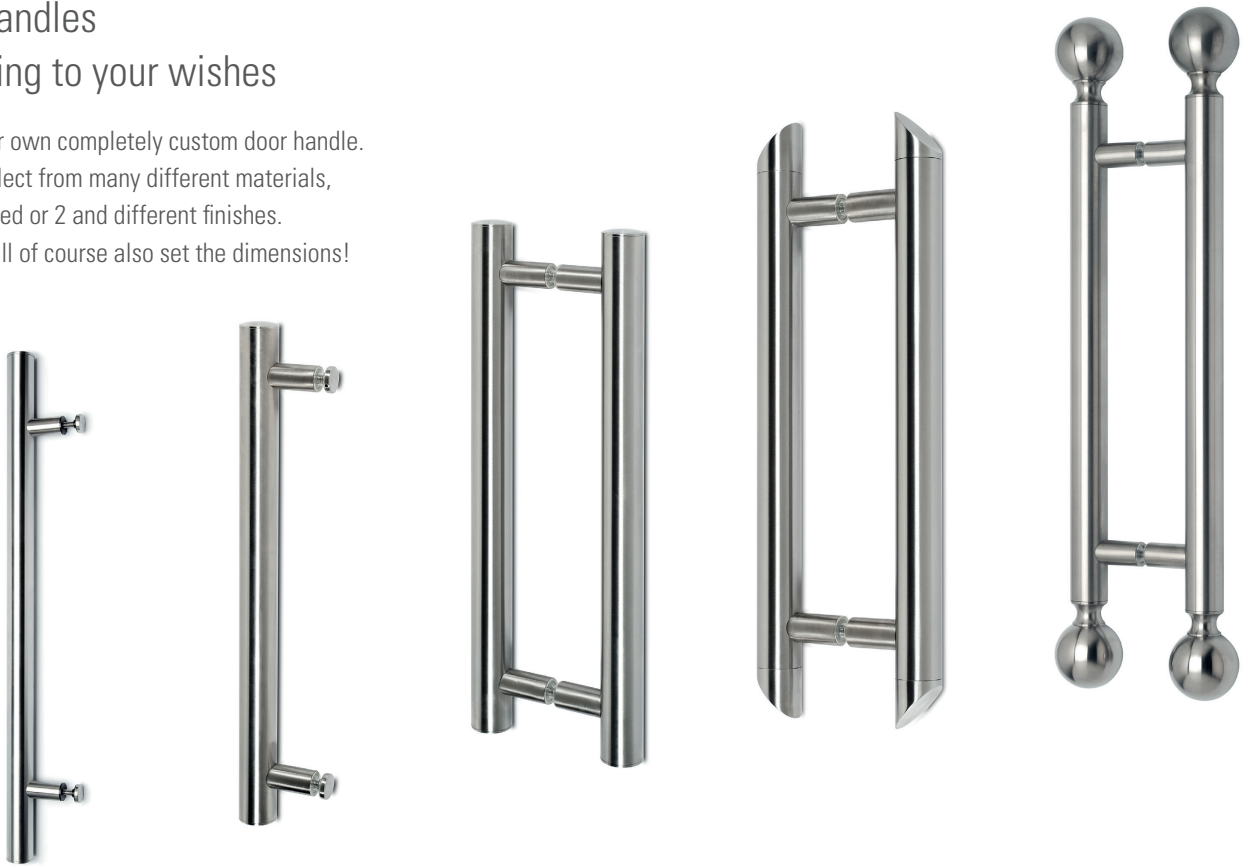
INFO 47.0201.025.12



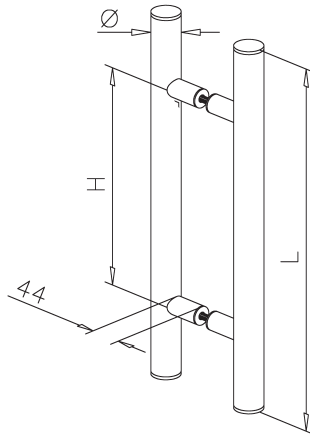
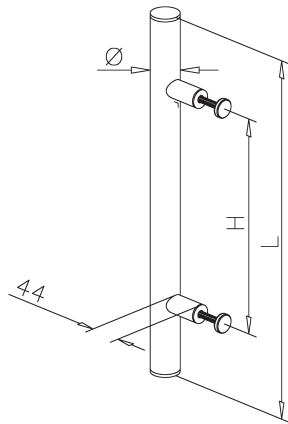
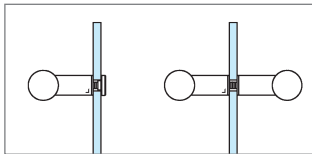
Door handles according to your wishes

Create your own completely custom door handle. You can select from many different materials, sizes, 1-sided or 2 and different finishes. And you will of course also set the dimensions!

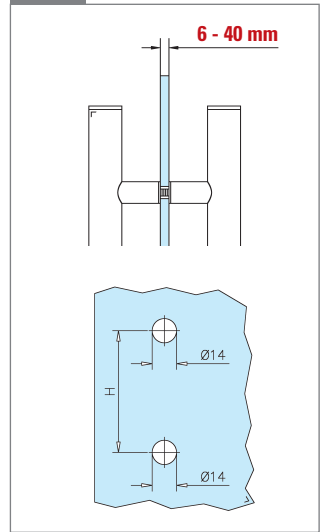
2



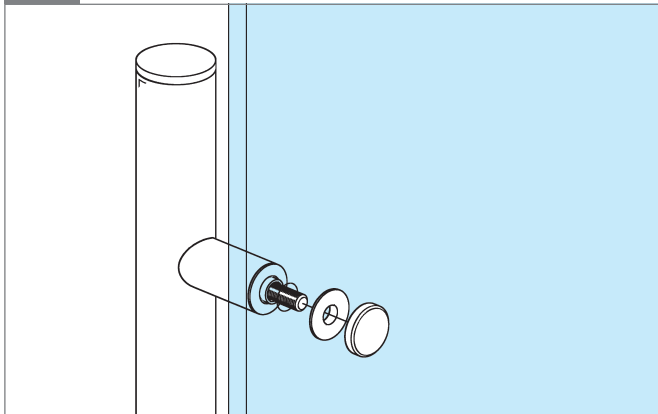
Adapter 90°



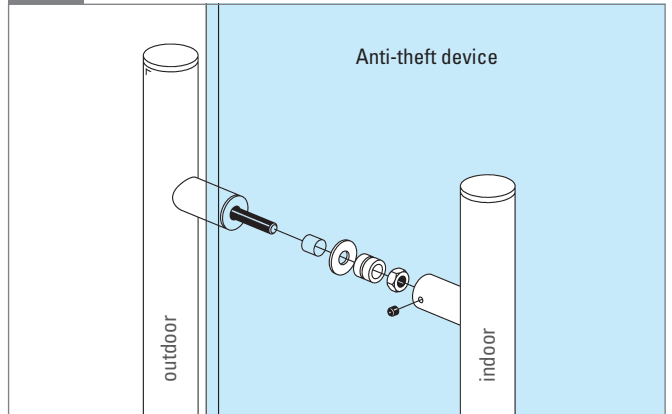
INFO glass / wood



INFO one-sided

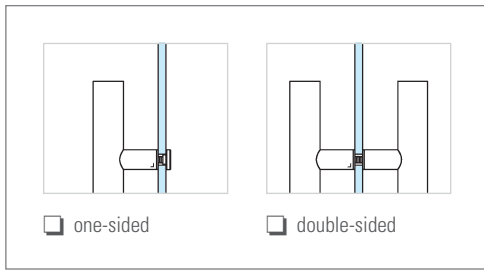


INFO double-sided



Proposal inquiry

2



- Stainless steel design
- Chrome design
- Brass design

Pieces:

1

- Flat end caps
 - Ø 19,0 mm
 - Ø 25,4 mm
 - Ø 38,1 mm
 - Ø 50,8 mm

4

- End caps 45°
 - Ø 19,0 mm
 - Ø 25,4 mm
 - Ø 38,1 mm
 - Ø 50,8 mm

2

- Domed end caps
 - Ø 25,4 mm
 - Ø 38,1 mm
 - Ø 50,8 mm

5

- Ball tops
 - Ø 25,4 mm
 - Ø 38,1 mm

3

- Arched end caps
 - Ø 19,0 mm
 - Ø 25,4 mm
 - Ø 38,1 mm
 - Ø 50,8 mm

L: _____ mm

L ≤ 1500 mm

L > 1500 mm

H: _____ mm

H max.
 Ø 19,0: L - 35 mm
 Ø 25,4: L - 50 mm
 Ø 38,1: L - 50 mm
 Ø 50,8: L - 60 mm

H max.
 Ø 25,4: L - 70 mm
 Ø 38,1: L - 80 mm
 Ø 50,8: L - 100 mm

H max.
 Ø 19,0: L - 40 mm
 Ø 25,4: L - 50 mm
 Ø 38,1: L - 60 mm
 Ø 50,8: L - 60 mm

H max.
 Ø 19,0: L - 90 mm
 Ø 25,4: L - 100 mm
 Ø 38,1: L - 135 mm
 Ø 50,8: L - 160 mm

H max.
 Ø 25,4: L - 180 mm
 Ø 38,1: L - 250 mm

Sender

Name _____

Telephone _____

Company _____

Fax _____

Street _____

E-Mail _____

Postcode, town _____

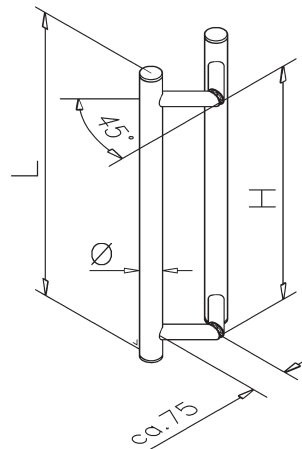
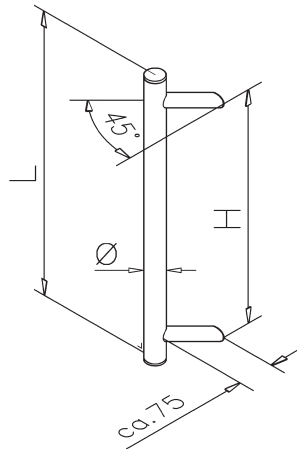
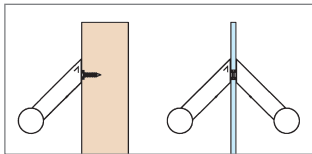
Door handles with a difference

If you want an even more customised solution, then the 45° design door handles are just right for you. With this option too, you can select from many different materials, sizes, 1-sided or 2 and different finishes.

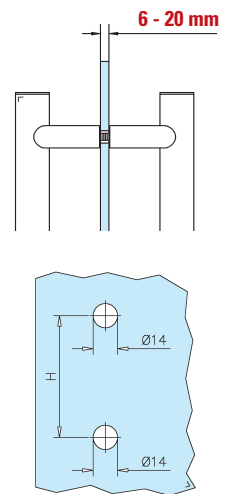
And you also get to set the dimensions yourself!



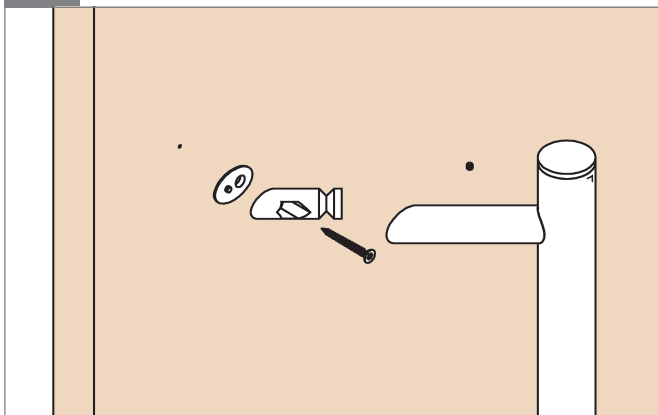
Adapter 45°



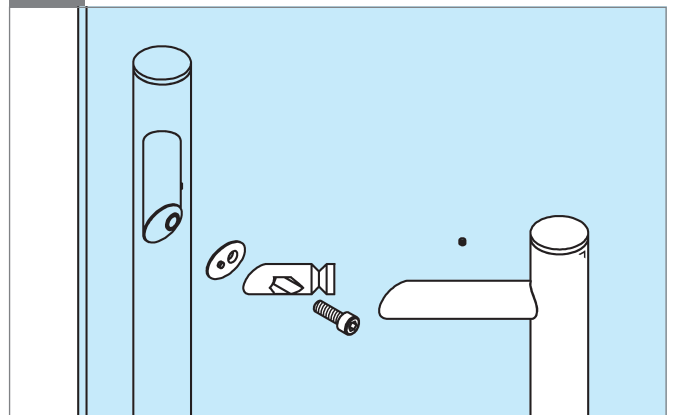
INFO glass / wood



INFO one-sided

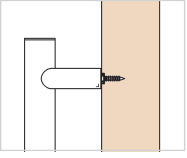


INFO double-sided

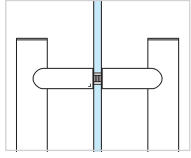


Proposal inquiry

2



one-sided



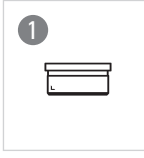
double-sided

Stainless steel design

Chrome design

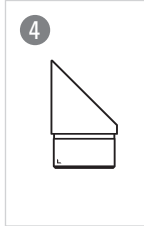
Pieces: _____

1




- Flat end caps
- Ø 25,4 mm
- Ø 38,1 mm

4



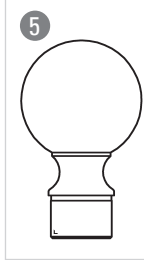
- End caps 45°
- Ø 25,4 mm
- Ø 38,1 mm

2




- Domed end caps
- Ø 25,4 mm
- Ø 38,1 mm

5



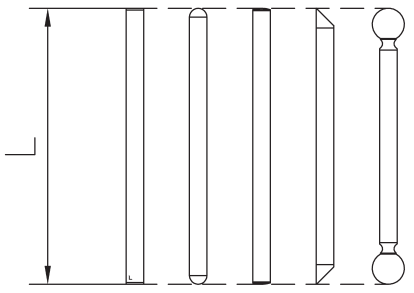
- Ball tops
- Ø 25,4 mm
- Ø 38,1 mm

3




- Arched end caps
- Ø 25,4 mm
- Ø 38,1 mm

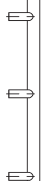
L: _____ mm



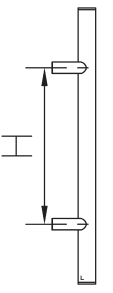
L ≤ 1500 mm




L > 1500 mm




H: _____ mm




1



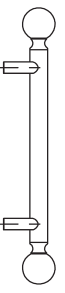
2



3



4



5

H max.
Ø 25,4: L - 50 mm
Ø 38,1: L - 50 mm

H max.
Ø 25,4: L - 70 mm
Ø 38,1: L - 80 mm

H max.
Ø 25,4: L - 50 mm
Ø 38,1: L - 60 mm

H max.
Ø 25,4: L - 100 mm
Ø 38,1: L - 135 mm

H max.
Ø 25,4: L - 180 mm
Ø 38,1: L - 250 mm

Sender

Name _____

Telephone _____

Company _____

Fax _____

Street _____

E-Mail _____

Postcode, town _____

Door handles with swing

Or do you prefer a curved design?

You have many options to choose from.

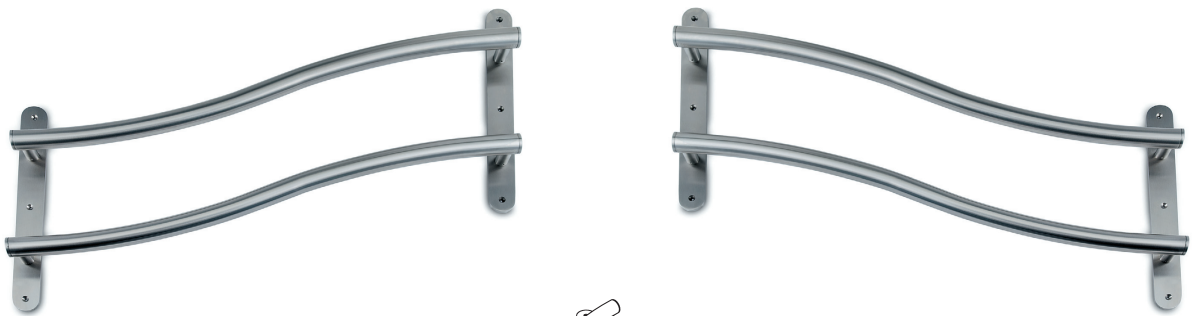
Here are some examples of already completed designs. Other designs are possible based on your requirements.

Please contact us so we can provide advice.

2

Examples

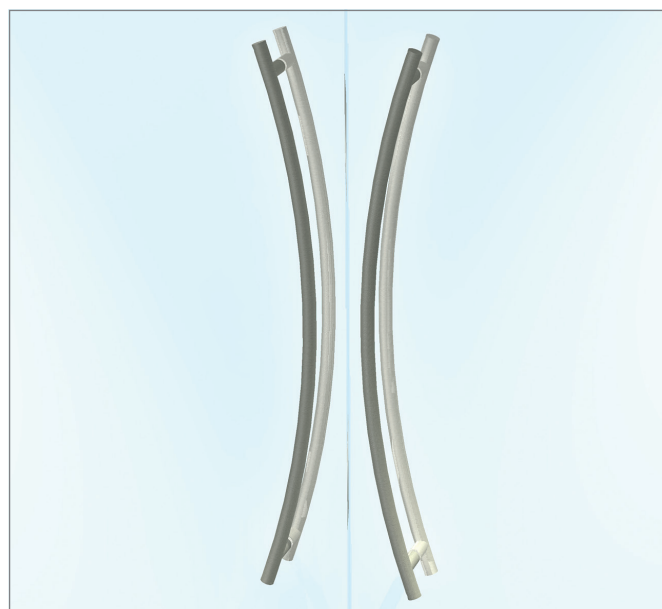
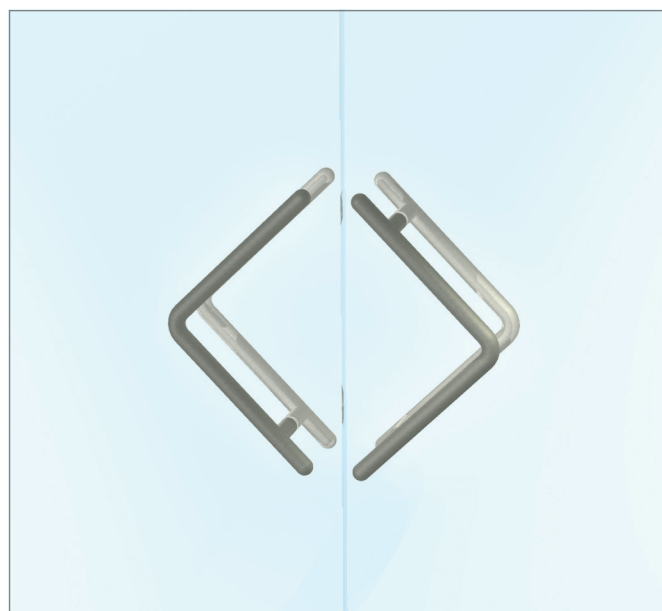
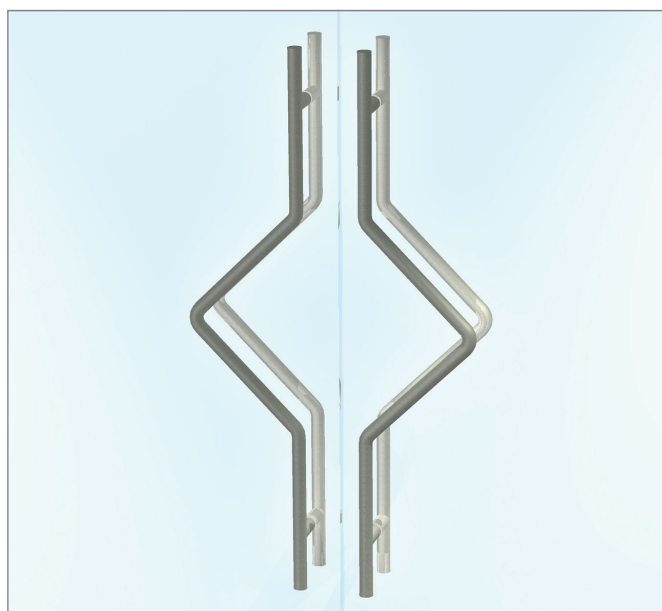
Door handle - 510



Door handle - 550



Examples



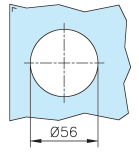
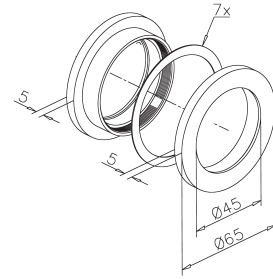
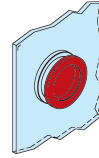
Recessed grip - 103



Stainless steel design

Chrome design

Art.no.	Art.no.	glass	
47.0103.065.12	47.0103.065.10	8 - 12 mm	2



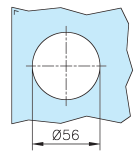
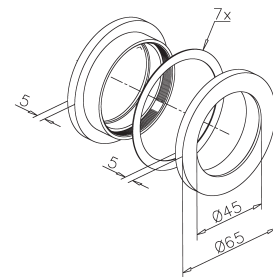
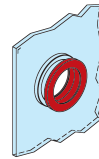
Open recessed grip - 104



Stainless steel design

Chrome design

Art.no.	Art.no.	glass	
47.0104.065.12	47.0104.065.10	8 - 12 mm	2



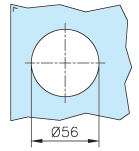
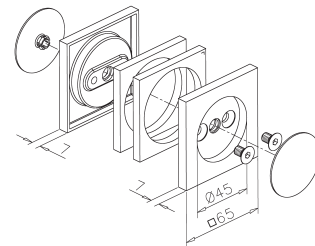
Square recessed grip - 4103



Stainless steel design

Chrome design

Art.no.	Art.no.	glass	
47.4103.465.12	47.4103.465.10	8 - 12 mm	2

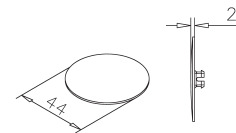


Cover caps for square recessed grip

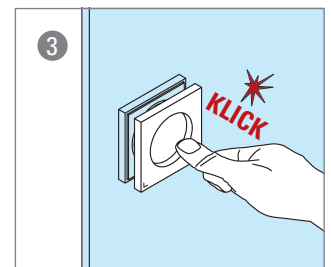
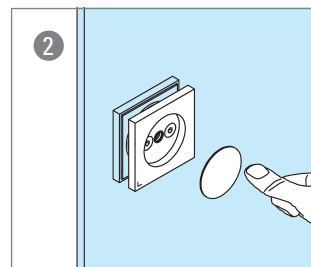
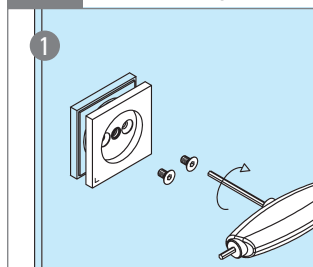


nylon

Art.no.	colour	
19.7006.044.20	Protectan, stainless steel effect	2
19.7006.044.23	Protectan, chrome effect polished	2
19.7006.044.31	jet black, RAL 9005	2
19.7006.044.34	signal red, RAL 3001	2
19.7006.044.35	gentian blue, RAL 5010	2



INFO 47.4103.465... / 19.7006.044...



Door knob - 101

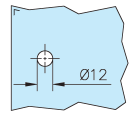
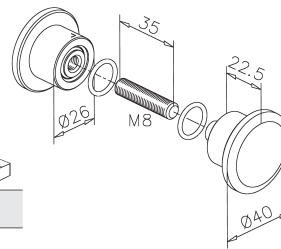


double-sided

Stainless steel design

Chrome design

Art.no.	Art.no.	glass	
47.0101.040.12	47.0101.040.10	8 - 12 mm	1



Door knob - 102

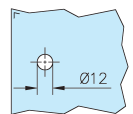
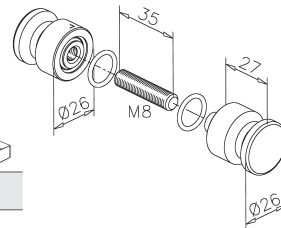


double-sided

Stainless steel design

Chrome design

Art.no.	Art.no.	glass	
47.0102.025.12	47.0102.025.10	8 - 12 mm	2



Door knob - 105

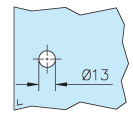
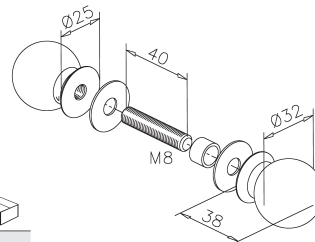


double-sided

Stainless steel design

Chrome design

Art.no.	Art.no.	glass	
47.0105.032.12	47.0105.032.10	8 - 12 mm	1



Door knob - 106

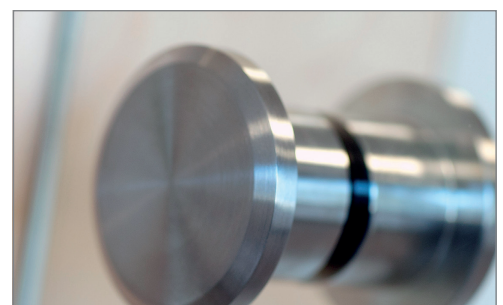
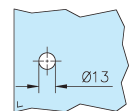
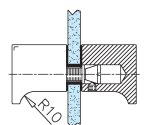
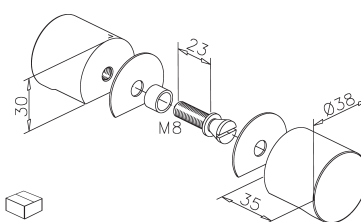


double-sided

Stainless steel design

Chrome design

Art.no.	Art.no.	glass	
47.0106.038.12	47.0106.038.10	8 - 12 mm	1



Door lock - 2210 / 002



with handles

Stainless steel design

Chrome design

Art.no.

Art.no.

glass

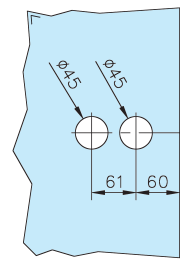
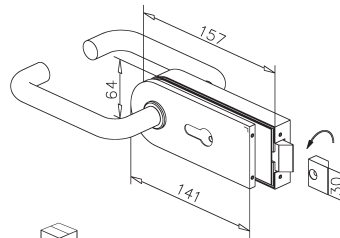


45.2210.002.12

45.2210.002.10

8 - 10 mm

1



Door lock - 2210 / 902



Stainless steel design

Chrome design

Art.no.

Art.no.

glass

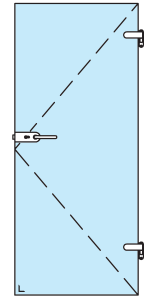
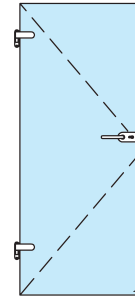


45.2210.902.12

45.2210.902.10

8 - 10 mm

1



Latch - 2210 / 001



with handles

Stainless steel design

Chrome design

Art.no.

Art.no.

glass

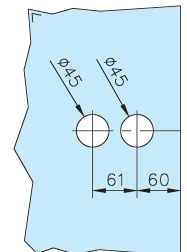
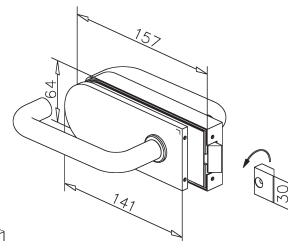


45.2210.001.12

45.2210.001.10

8 - 10 mm

1



Latch - 2210 / 901



Stainless steel design

Chrome design

Art.no.

Art.no.

glass

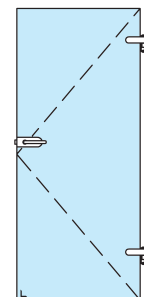
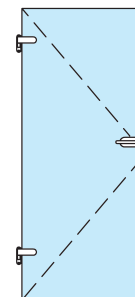


45.2210.901.12

45.2210.901.10

8 - 10 mm

1



Door lock - 2210 / 003



for lavatory, with handles

Stainless steel design

Chrome design

Art.no.

Art.no.

glass

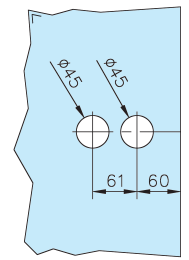
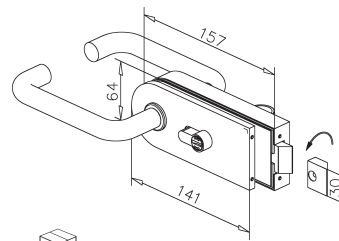


45.2210.003.12

45.2210.003.10

8 - 10 mm

1



Door lock - 2210 / 903



for lavatory

Stainless steel design

Chrome design

Art.no.

Art.no.

glass

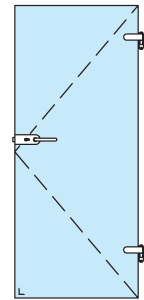
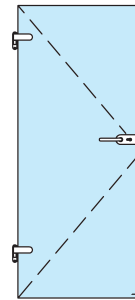


45.2210.903.12

45.2210.903.10

8 - 10 mm

1



Strike box - 2211



Stainless steel design

Chrome design

Art.no.

Art.no.

glass

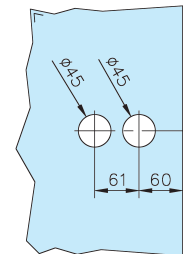
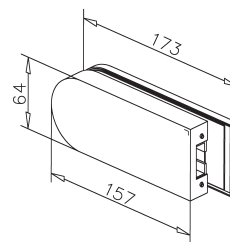


45.2211.000.12

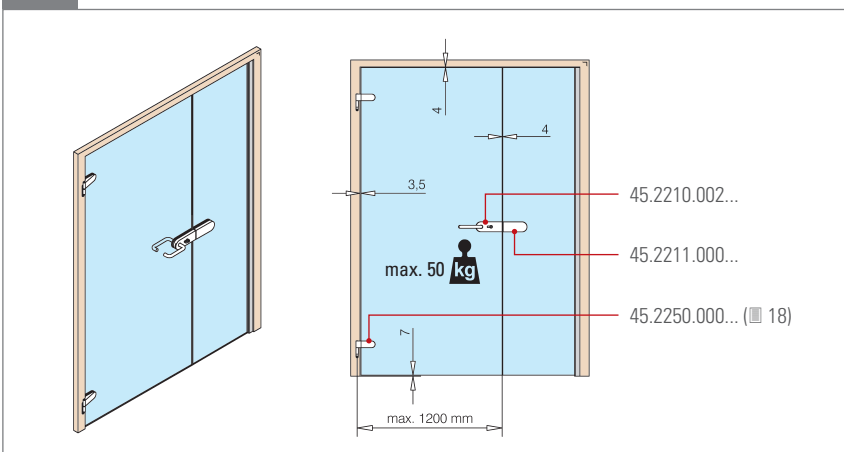
45.2211.000.10

8 - 10 mm

1



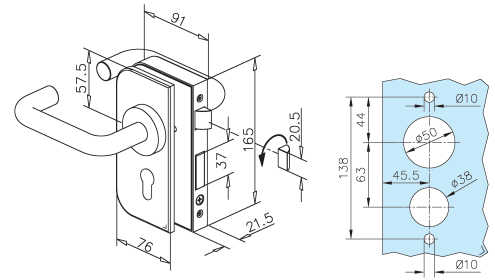
INFO 45.2210...




Door lock - 2820 / 002



with handles
opening direction right

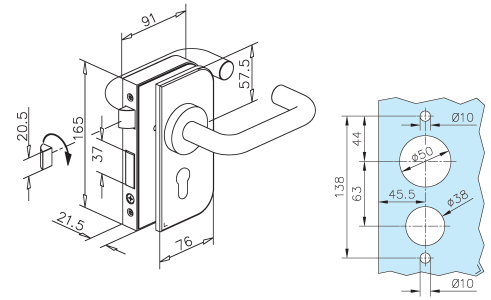



Stainless steel design	Chrome design	glass	
Art.no. 45.2820.002.12	Art.no. 45.2820.002.10	8 - 12 mm	1

Door lock - 2810 / 002

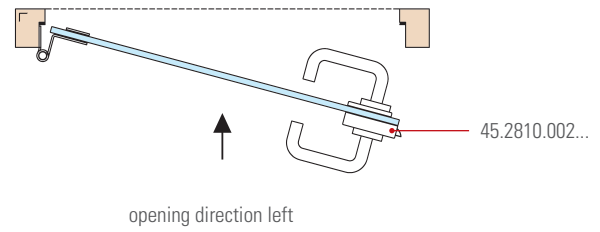
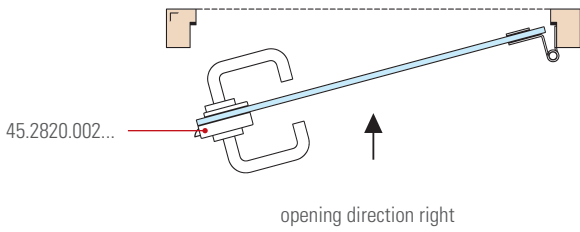


with handles
opening direction left



Stainless steel design	Chrome design	glass	
Art.no. 45.2810.002.12	Art.no. 45.2810.002.10	8 - 12 mm	1

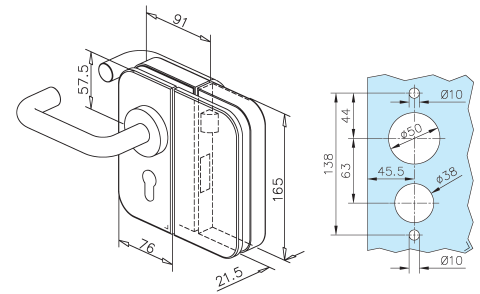
INFO Opening direction



Door lock - 2820 / 005



with handles and strike box
opening direction right

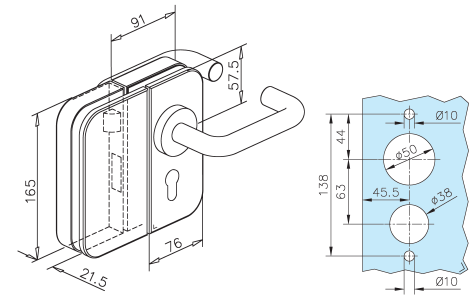


Stainless steel design	Chrome design	glass	
Art.no. 45.2820.005.12	Art.no. 45.2820.005.10	8 - 12 mm	1

Door lock - 2810 / 005

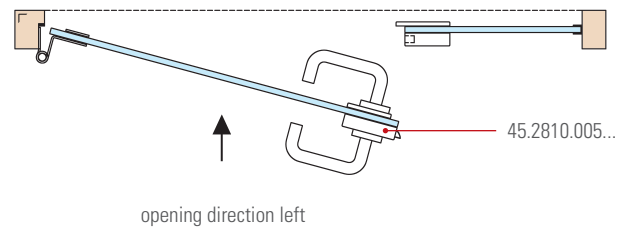
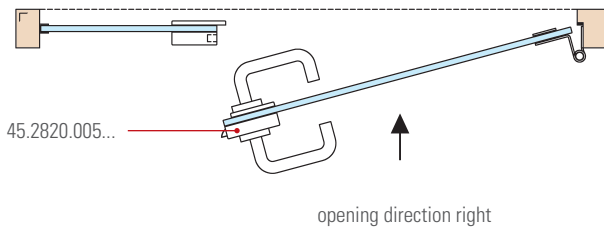


with handles and strike box
opening direction left



Stainless steel design	Chrome design	glass	
Art.no. 45.2810.005.12	Art.no. 45.2810.005.10	8 - 12 mm	1

INFO Opening direction

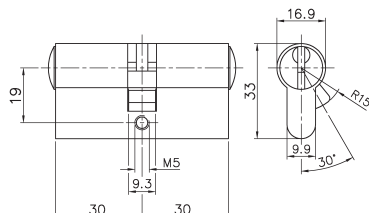


Profile double cylinder 30/30 mm



matt nickel-plated, with 3 keys

Art.no.	
45.2710.907.12	1

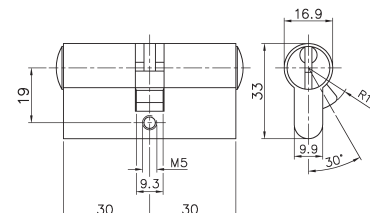


Profile double cylinder 30/30 mm



matt nickel-plated, with 3 keys

Art.no.	
45.2710.908.12	1

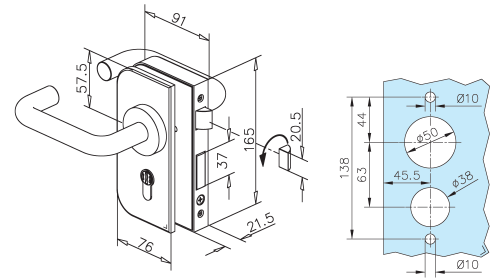



Door locks

Door lock - 2820 / 003



for lavatory, with handles
opening direction right



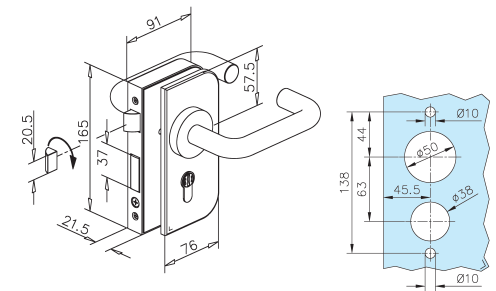
Stainless steel design	Chrome design	glass	
Art.no. 45.2820.003.12	Art.no. 45.2820.003.10	8 - 12 mm	1




Door lock - 2810 / 003



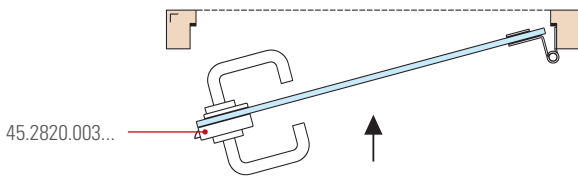
for lavatory, with handles
opening direction left



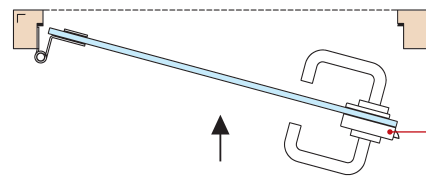
Stainless steel design	Chrome design	glass	
Art.no. 45.2810.003.12	Art.no. 45.2810.003.10	8 - 12 mm	1



INFO Opening direction



opening direction right




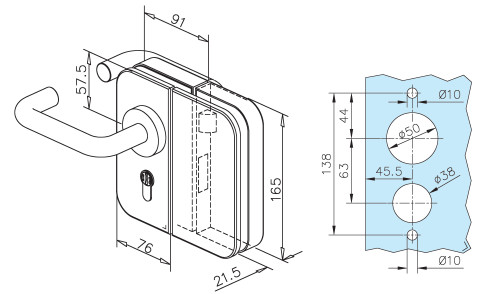
opening direction left

Door lock - 2820 / 006



for lavatory, with handles and strike box
opening direction right

Stainless steel design	Chrome design	glass	
Art.no. 45.2820.006.12	Art.no. 45.2820.006.10	8 - 12 mm	1




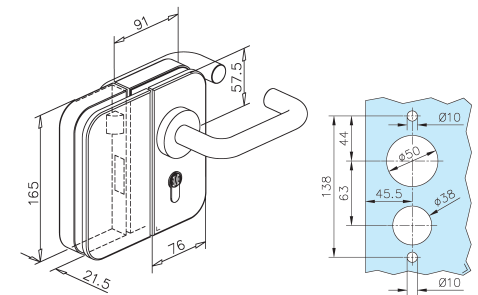
2

Door lock - 2810 / 006



for lavatory, with handles and strike box
opening direction left

Stainless steel design	Chrome design	glass	
Art.no. 45.2810.006.12	Art.no. 45.2810.006.10	8 - 12 mm	1



INFO Opening direction

